

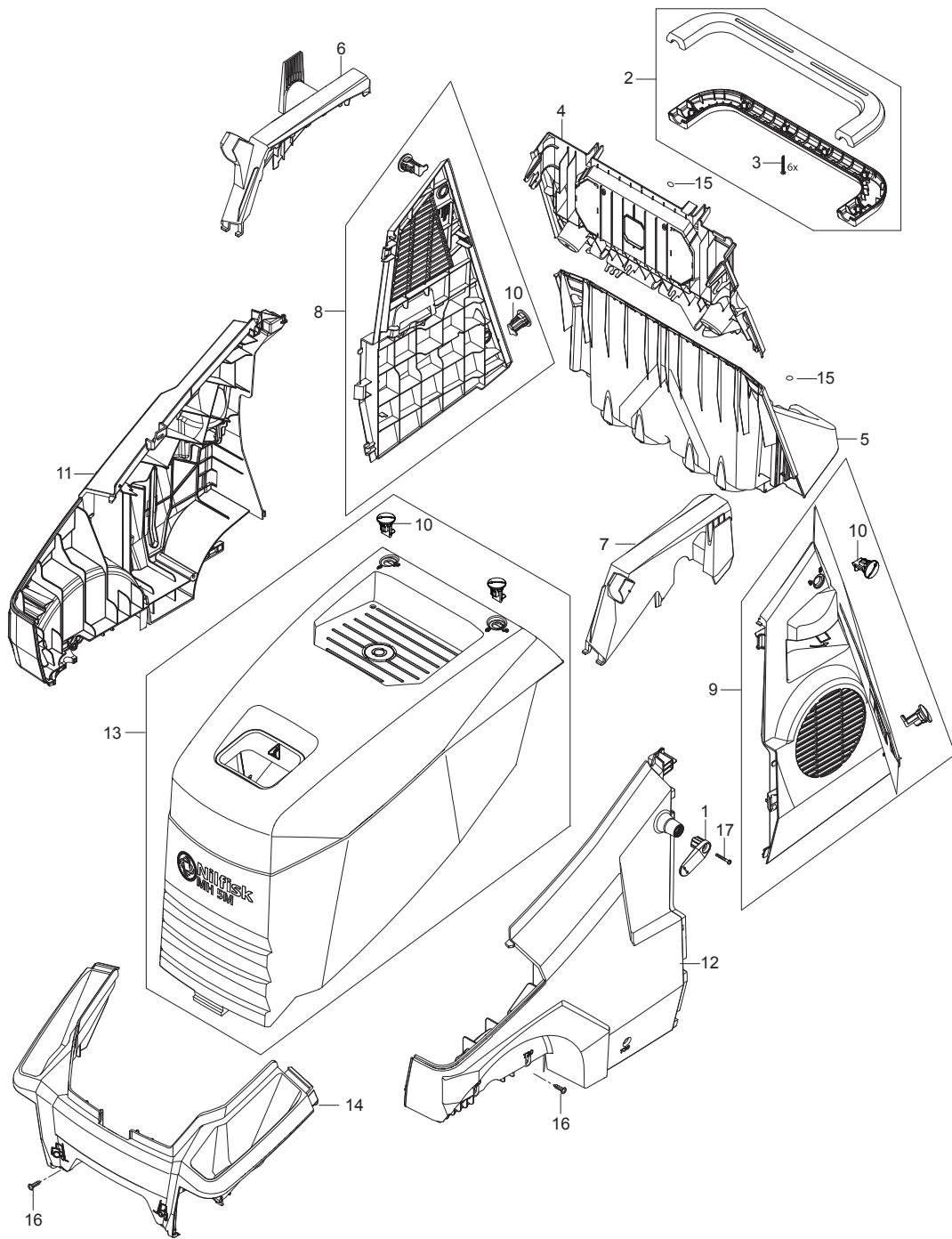
PARTS LIST



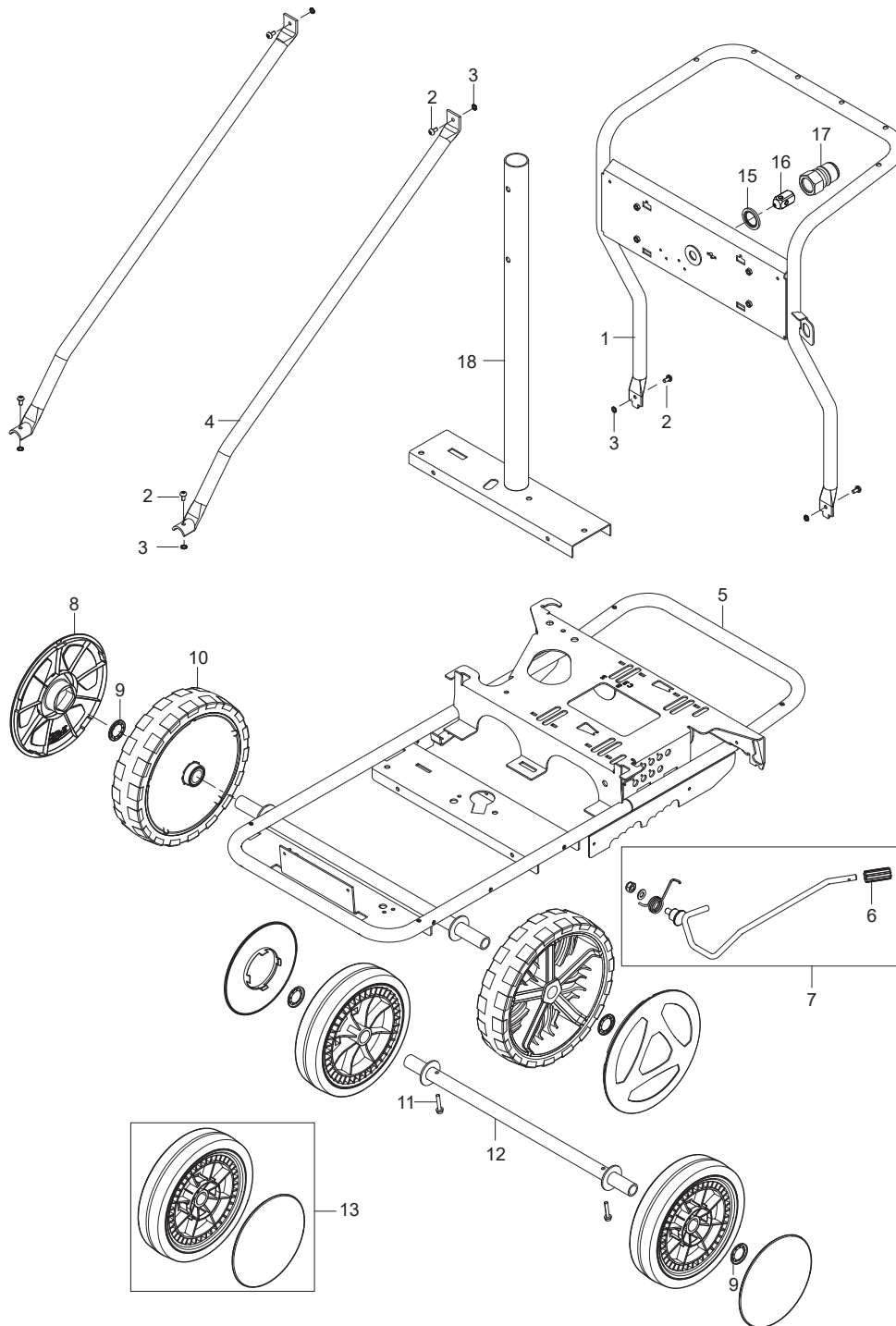
2023.03.17

TABLE OF CONTENTS

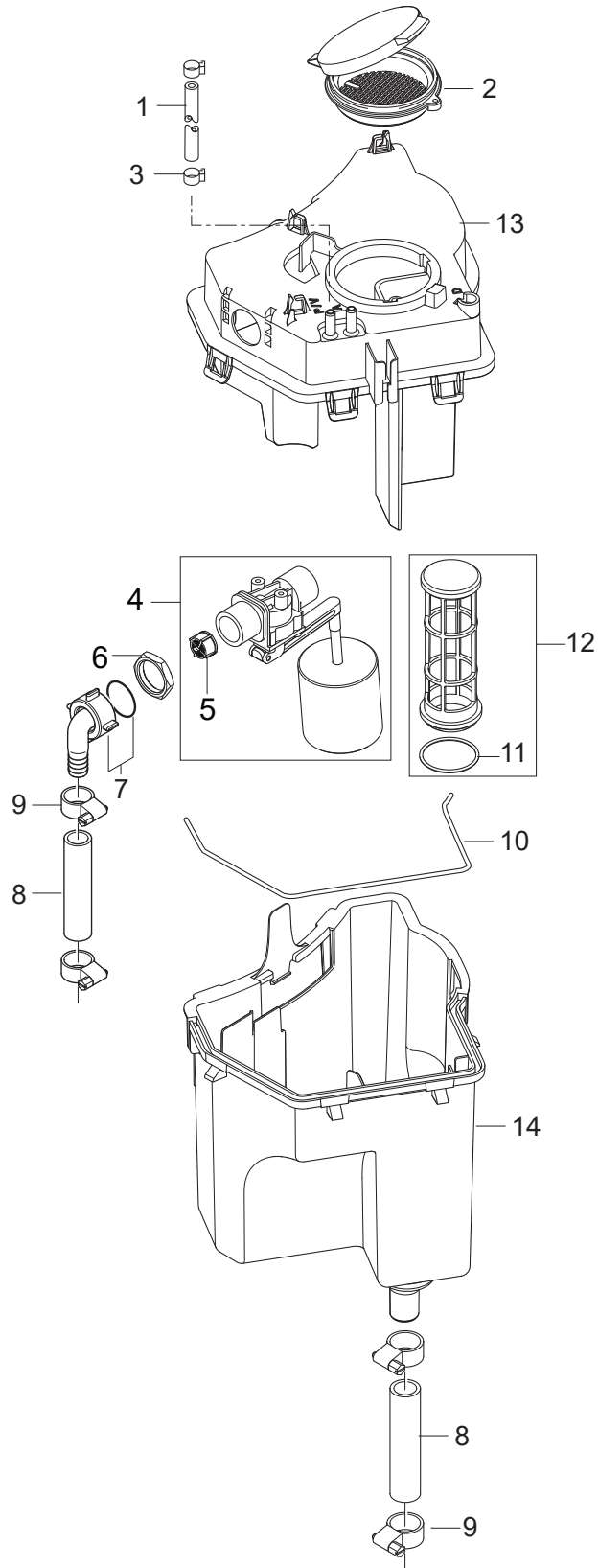
Cabinet.....	1
Chassis large.....	3
Water break tank.....	5
Electric box for motor 1~,3~ STAR and 3~ DELTA.....	7
Water inlet_PA.....	9
Anti-scale.....	11
Fuel tank 30L.....	13
Burner.....	15
Electric box for motor Star/Delta.....	17
1x detergent.....	19
Electric box.....	21
Cables and wires.....	24
Motor pump.....	26
Cylinder block.....	28
Water flow regulation_FA.....	30
Unloader_PA.....	32
Water inlet_FA.....	34
Flow control FA.....	36
Hose reel.....	38
Flow control PA_ w manometer.....	40
Fan.....	42
Boiler B5.....	44



Pos.	Artikel-Nr.	Menge	Variante	Notes
1	107143025	1	CABLE HOOK CLAMP BLUE	
2	101118192	1	HANDLE KIT	
3	909100148	6	Ejotschraube K40x30 WN 14	
4	107143013	1	REAR END TOP	
5	107143014	1	REAR END BOTTOM	
6	107143021	1	COVERING FOR HANDLE RIGHT	
7	107143022	1	COVERING FOR HANDLE LEFT	
8	107143023	1	DOOR W/LOCKS MPU NA5-NA6 RIGHT	
9	107143019	1	DOOR LEFT W/LOCKS	
10	301001261	6	Verriegelung	
11	107143130	1	SIDE BUMPER LARGE RIGHT	
12	107143131	1	SIDE BUMPER LARGE LEFT	
13	101118201	1	CABINET MH 5M NILFISK KIT	
14	107143015	1	FRONT BUMPER	
15	107143009	6	BLIND PLUG D16.5 FOR T30 BLACK PE	
16	107143018	12	SCREW M6X16	
17	107141838	7	SCHRAUBE K50X18 WN1451 SCHWARZ TORX 20	



Pos.	Artikel-Nr.	Menge	Variante	Notes
1	31001157	1	FRAME HANDLE	
2	107143018	6	SCREW M6X16	
3	107143146	6	WASHER SERRATED M6	
4	31001158	2	HANDLE STIFFENER LONG	
5	31001159	1	FRAME LARGE WELDED	
6	107143028	1	BRAKE KNOB	
7	101118229	1	BRAKE ARM LONG KIT	
8	107145780	2	RADKAPPE FUER RAD Ø300X65	
9	46363	4	Klemmscheibe	
10	107145637	2	RAD D300X65 (STARCO)	
11	107143027	2	SCREW M6X35 SW10 DIN7500D FZB	
12	31001160	1	WHEEL AXLE REAR	
13	107143304	2	Rad D250 mit Abdeckung	
15	1801075	1	Dichtring	
16	107143066	1	PISTON	
17	1600493	1	Anschlussstück	
18	31001161	1	BOILER TUBE W. BRACKET LARGE	

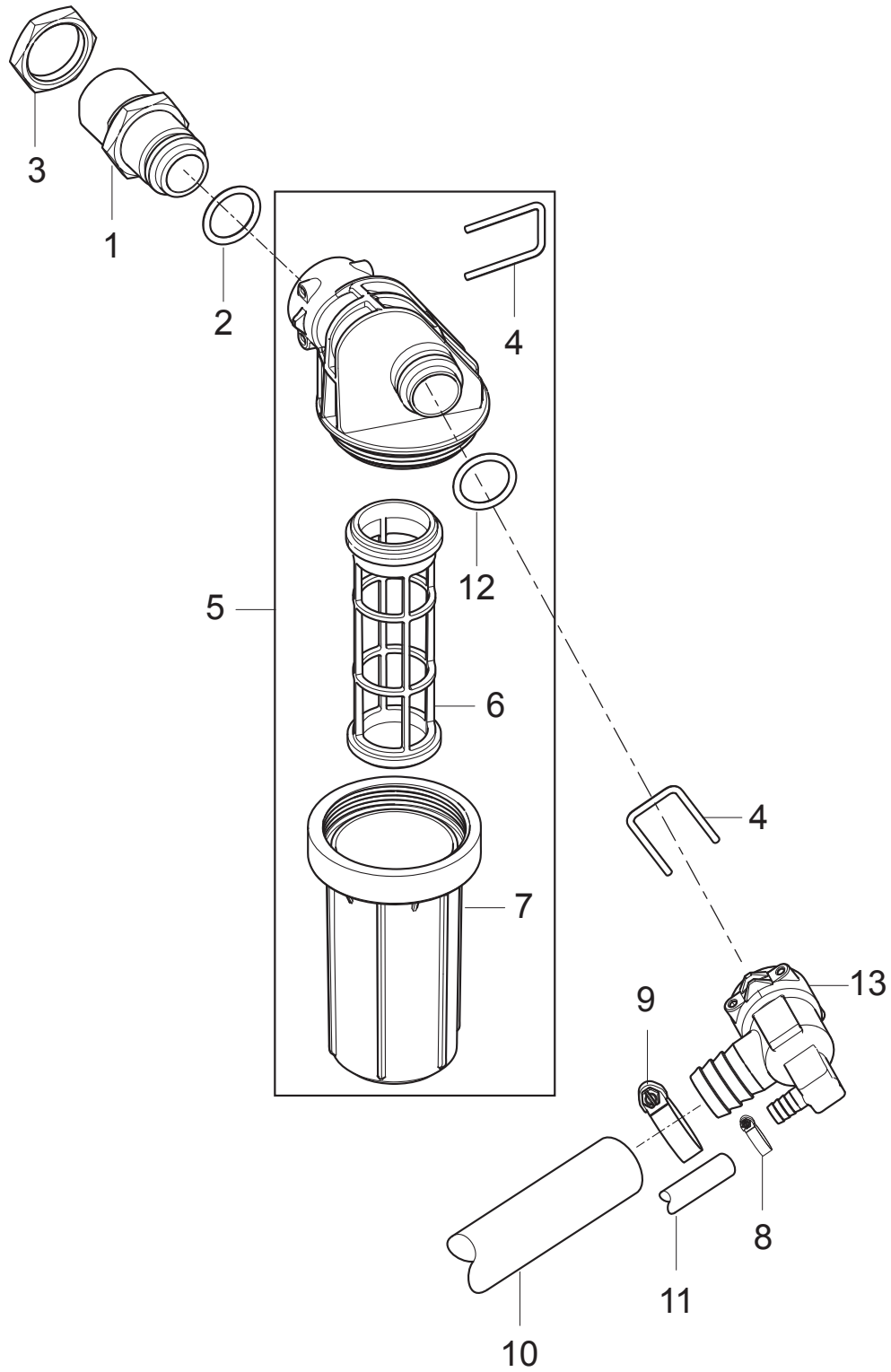


Pos.	Artikel-Nr.	Menge	Variante	Notes
1	101406100	1	Schlauch 6x3 mm x 5 m	
2	301000561	1	Deckel RP-Behälter	
3	301001133	2	Schlauchklemme 10/7	
4	101117784	1	Schwimmventil	
5	34218	1	Filter Ø19 KU	
6	1800341	1	Gegenmutter 3/4	
7	107143084	1	HOSE COUPLING 90° 20X3/4 PP W/NUT/GASKET	
8	107143031	1	FUELFLEX HOSE D28/D20 10BAR/20°	
9	8298	4	Schlauchschele SGL 16-27	
10	101406054	1	Dichtung	
11	107143032	1	O-RING D30X2 SHORE70 NBR BLACK	
12	106403194	1	FILTER FOR WATER BREAK TANK ACCESSORY	
13	107143060	1	COVER FOR WATER TANK	
14	107143030	1	WATER BREAK TANK	

Pos.	Artikel-Nr.	Menge	Variante	Notes
1	107141838	1	SCHRAUBE K50X18 WN1451 SCHWARZ TORX 20	
2	301000782	1	Deckel	
3	107143069	6	SNAP TERMINAL 2 POL	
4	301002165	1	Anschlussklemmenkäfig	
5	107143074	1	E-BOX	
6	3803764	1	Stopfbuchse TET 5-7C	
7	3803772	1	Tülle	
8	107143075	1	MOTOR CABLE 5G1.5 FOR 3~	[1]
8	107143076	1	MOTOR CABLE 5G1.5 FOR 1~	[2]
8	107143071	1	MOTOR CABLE 5G2.5 FOR STAR/DELTA	[3]
8	107143129	1	MOTOR CABLE 4G4 DELTA MH5-6-7	[4]
9	107143069	1	SNAP TERMINAL 2 POL	[5]
10	107143158	1	TERMINAL BLOCK 4-POL 10MM2	[6]

Part Notes:

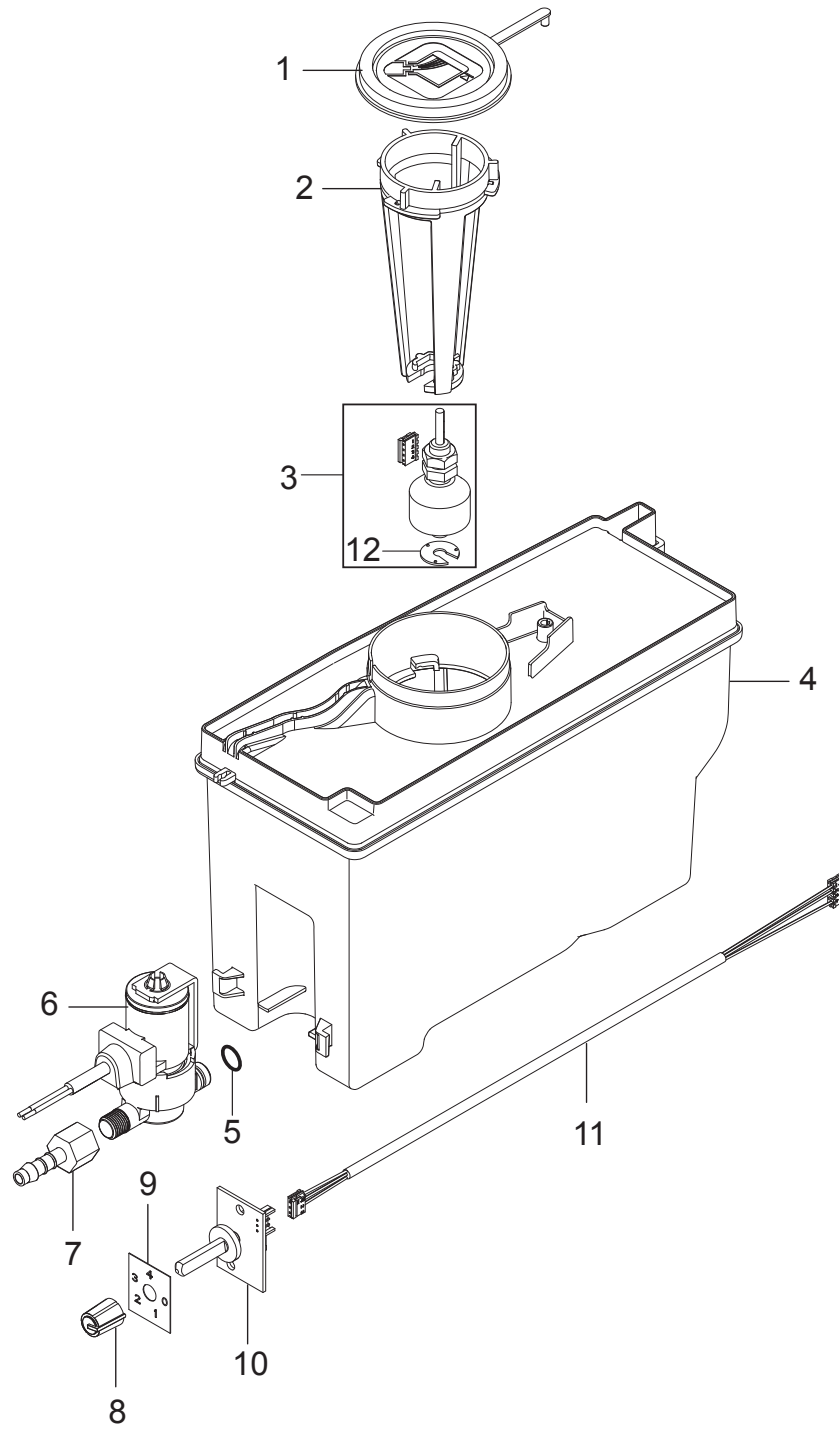
- [1] - MH4, MH5-200
- [2] - MH4 1ph, MH5 1ph
- [3] - MH4 (JP), MH5 (not MH5-200), MH6, MH7
- [4] - MH6 JP, MH7 JP
- [5] - 1~
- [6] - MH5-6-7 - Delta, JP



Pos.	Artikel-Nr.	Menge	Variante	Notes
1	107143086	1	FITTING FOR WATER INLET	
2	107143088	2	O-RING 18.72X2.62	
3	1800341	1	Gegenmutter 3/4	
4	107143085	2	LOCK PIN	
5	107144272	1	FILTER CPL. MH 5000MM2 50µ ACCESSORY	
6	31001100	1	FILTER CARTRIDGE WITHOUT FLANGE	[1]
7	31001011	1	Glas für Wasserfilter	[1]
8	11654	1	Schlauchklemme 11,5	
9	8298	1	Schlauchschele SGL 16-27	
10	107143031	1	FUELFLEX HOSE D28/D20 10BAR/20°	
11	101406100	1	Schlauch 6x3 mm x 5 m	
12	107143088	1	O-RING 18.72X2.62	
13	107143089	1	WATER INLET FITTING FOR PA	

Part Notes:

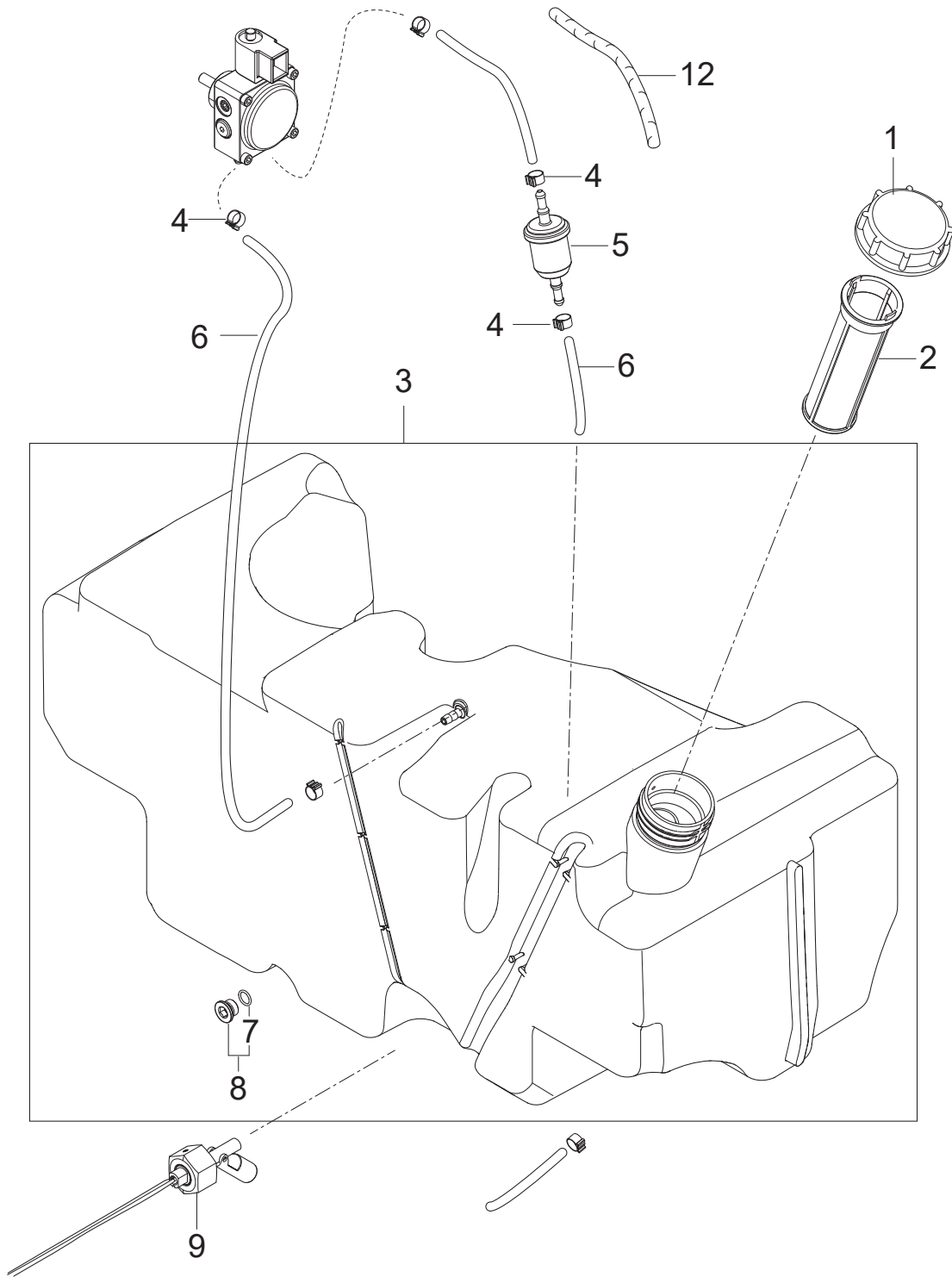
- [1] - TSB-PPW-2020-006 Water inlet filter cartridge and filter glass improved
 TSB-PPW-2020-06 Cartouche de filtre d'entrée d'eau et bocal de filtre amélioré
 DE TSB-PPW-2020-006 Wasserzulauffilter Glas und Filtereinsatz verbessert



Pos.	Artikel-Nr.	Menge	Variante	Notes
1	45646	1	Deckel	
2	107143040	1	LEVELSENSOR BRACKET FOR ANTISCALE	
3	101118214	1	FLOAT SWITCH KIT	
4	107143041	1	ANTISCALE TANK CPL.	
5	31001036	1	O-RING 6X2 NBR 70SH	
6	107143037	1	DOSING VALVE RPE 24VAC	
7	107143036	1	HOSE FITTING D6X1/8 PA	
8	107318222	1	PUSH-ON KNOB 11MM/6MMD/WH	
9	107143042	1	LABEL FOR ANTISCALE	
10	101117730	1	PCB FOR POTENTIOMETER	
11	107143038	1	CABLE FOR ADJUSTMENT ANTI SCALE	
12	107142593	1	HOLDING WASHER PE	[1]

Part Notes:

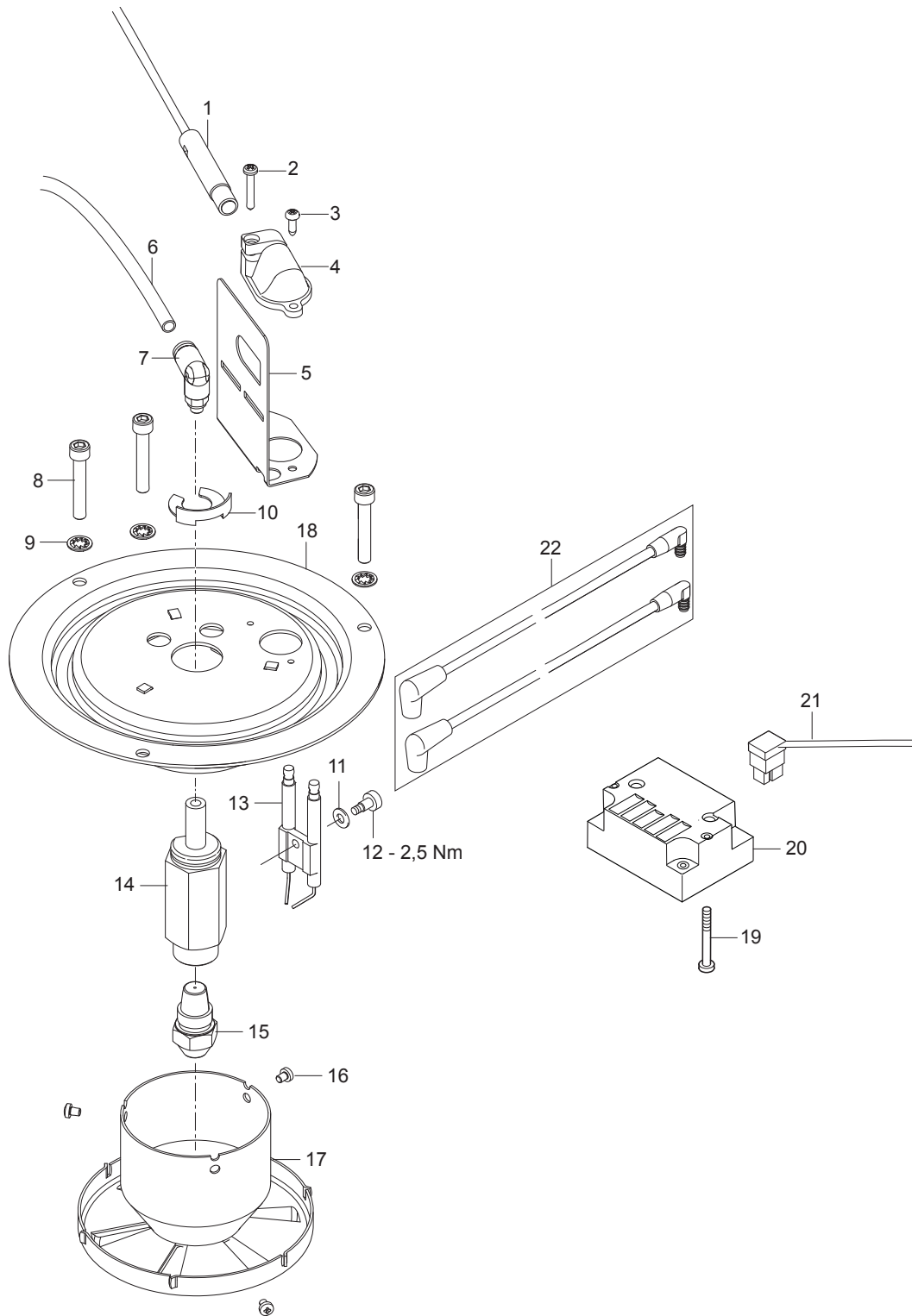
- [1] - TSB-PPW-2016-017 Locking ring for oil level switch falling off



Pos.	Artikel-Nr.	Menge	Variante	Notes
1	107143034	1	FUEL TANK LID - RED	
2	107144862	1	Tankfilter Ø49,5X140	
3	107143136	1	FUEL TANK 30L	
4	301001133	6	Schlauchklemme 10/7	
5	301002926	1	Filter 101X36.5X6 KU	
6	106408244	0.35	HOSE D6X2.5 - 5 METERS	
7	3000072	1	O-Ring 10,1 X 1,6 SMS	
8	6180906	1	Verschlussschraube	[1]
9	107143033	1	LEVEL SENSOR FUEL TANK	
10	107143164	1	BEND PROTECTOR	[2]

Part Notes:

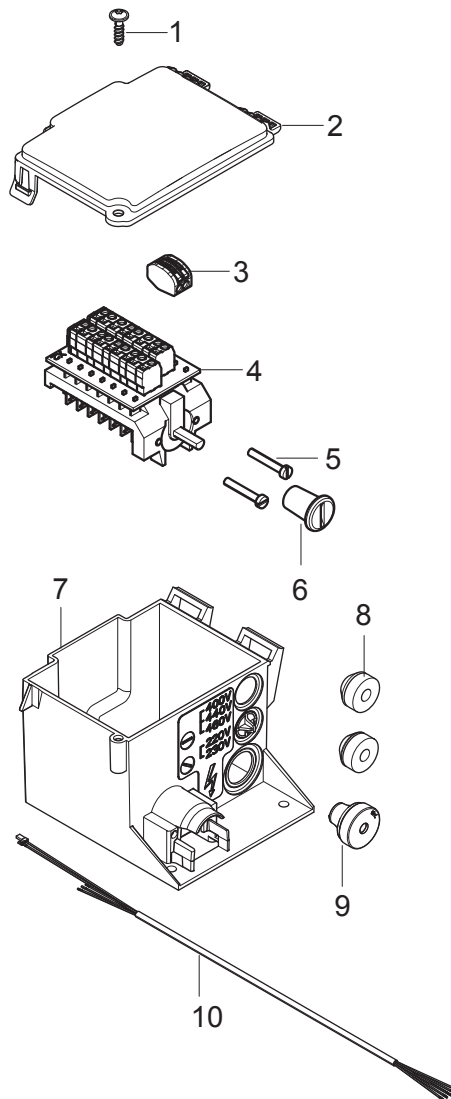
- [1] - STOCK COVERS GUARANTEE
- [2] - DE TSB-PPW-2017-006 MH 3, 4, 5, 6, 7 Kraftstoffschlauch kann durch zu st...
TSB-PPW-2017-006 MH 3, 4, 5, 6, 7 Fuel hose can bend and block for fuel



Pos.	Artikel-Nr.	Menge	Variante	Notes
1	107143100	1	FLAME SENSOR WITH CABLE	
2	5606	1	Blechschaube 2,9x19	
3	4036	1	Blechschaube 2,9x9,5	
4	301000934	1	Halter	
5	107143101	1	SHIELD FOR FLAME SENSOR	
6	909100141	1	Brennstoffleitung 4x1 mm x 1 m	
7	101117913	1	Winkelverschraubung	
8	3873	3	Schraube M5x30	
9	3376	3	Fächerscheibe 5,3 -A- DIN 6798 VA	
10	101117876	1	Sicherungsring	
11	909100144	1	Federscheibe B5	
12	909100143	1	Schraube M4x4,5	
13	301150009	1	Elektrode	
14	101117915	1	Düsenstock	
15	301000886	1	Düse 1.75 GAL 60 Grad	
16	51848	3	Linsenschraube M3x 4 DIN 7985 zn	
17	301001834	1	Stauscheibe	
18	301000606	1	Deckel	[1]
19	909100149	2	Ejotschraube K50x50 WN 14	
20	101117759	1	Zündtransformator 220-240	[2]
21	107143098	1	PRIMARY CABLE FOR IGNITION COIL	
22	101118220	1	2 X IGNITION CORDS KIT	

Part Notes:

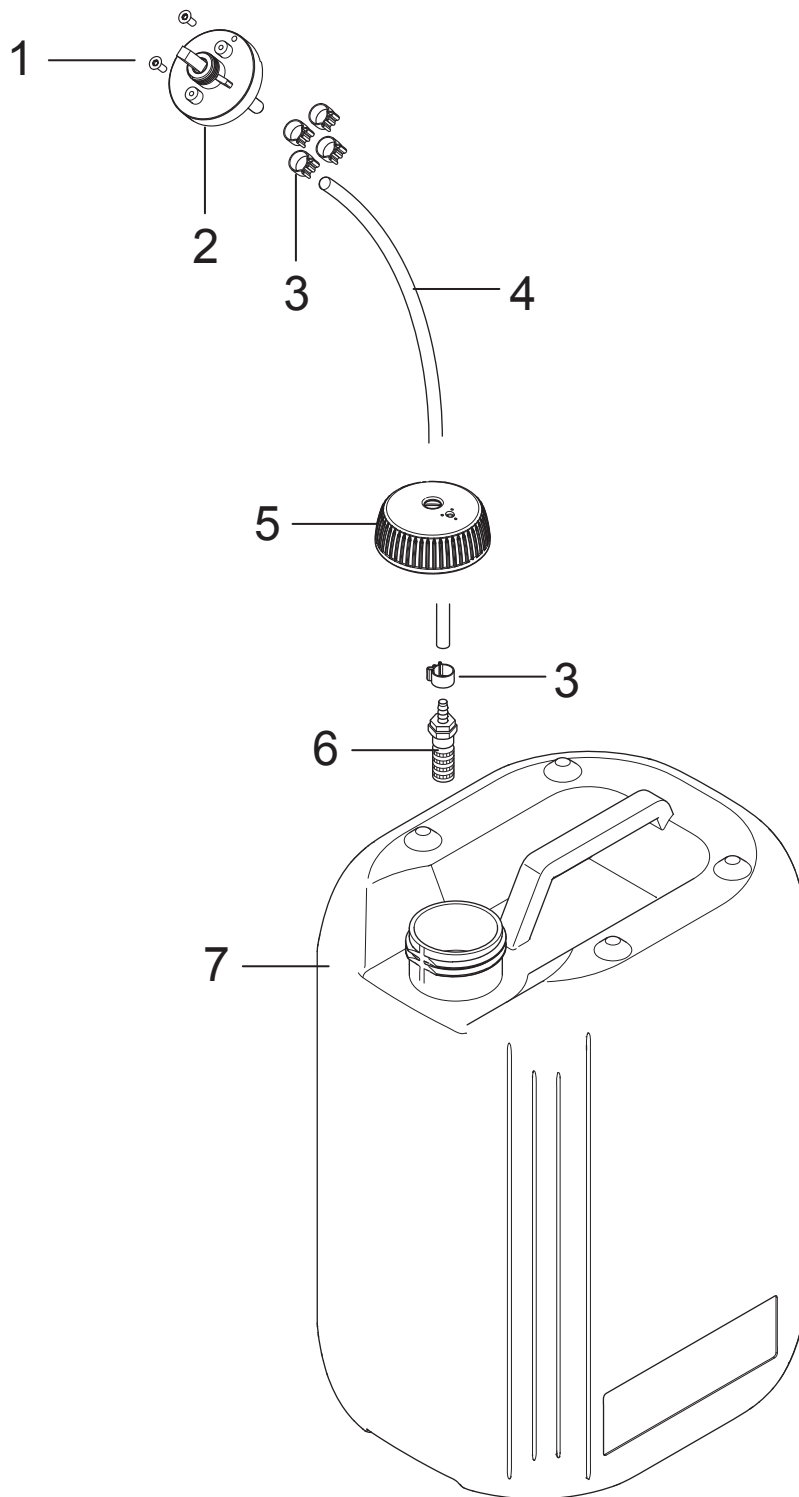
- [1] - MH5, MH6, MH7, MH8
 [2] - TSB-PPW-2018-004 Boiler cannot start - no ignition
 FR TSB-PPW-2018-004 Le bruleur ne démarre plus
 DE TSB-PPW-2018-004 Brenner startet nicht - keine Zündung



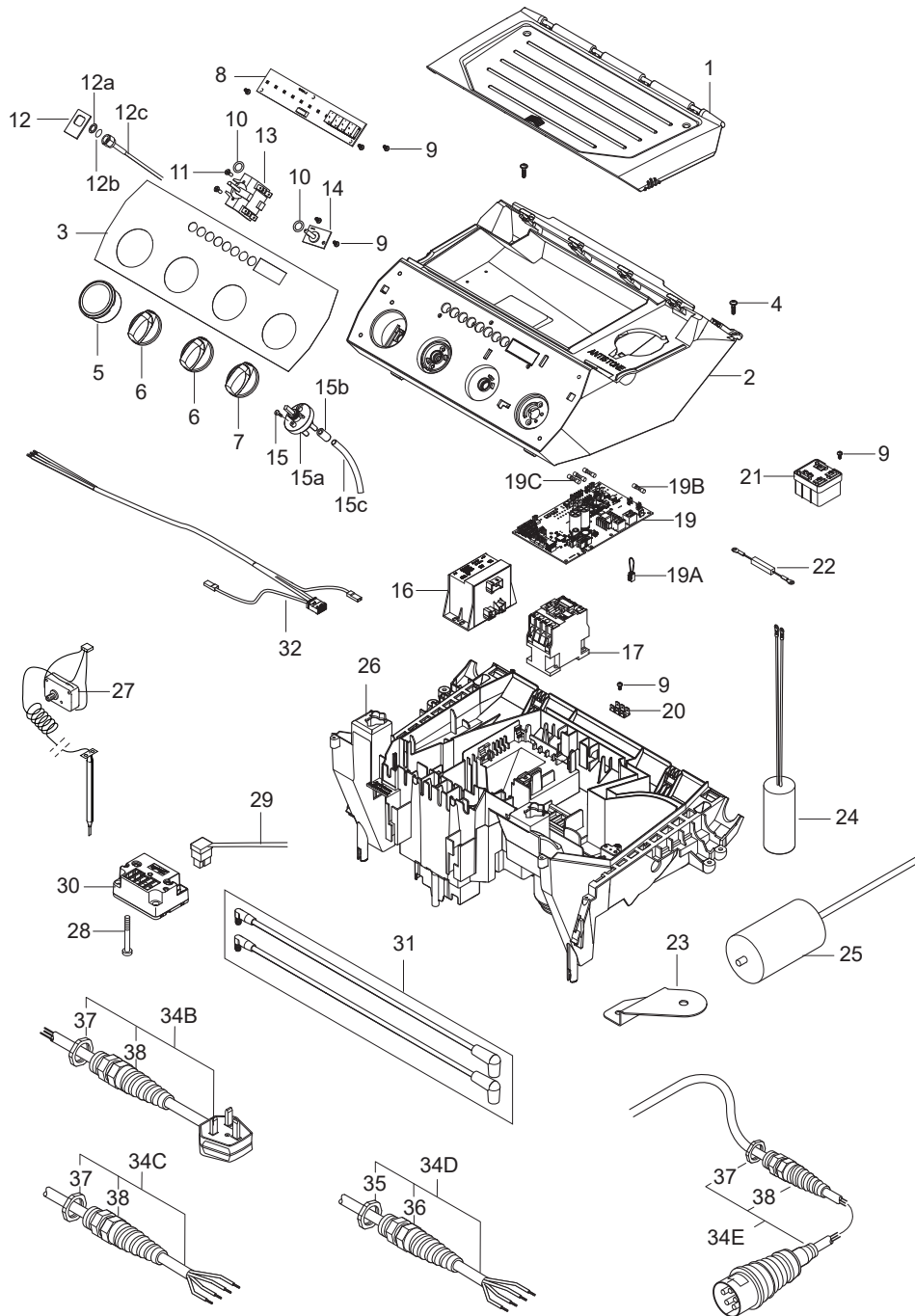
Pos.	Artikel-Nr.	Menge	Variante	Notes
1	107141838	1	SCHRAUBE K50X18 WN1451 SCHWARZ TORX 20	
2	301000782	1	Deckel	
3	107143069	1	SNAP TERMINAL 2 POL	
4	107143073	1	PCB SWITCH STAR/DELTA	
5	101117739	2	Flachkopfschraube	
6	64580	1	Drehknopf	[1]
7	107143074	1	E-BOX	
8	3803764	2	Stopfbuchse TET 5-7C	
9	3803772	1	Tülle	
10	107143071	1	MOTOR CABLE 5G2.5 FOR STAR/DELTA	

Part Notes:

- [1] - TSB-PPW-2016-007 Rotary knob for Voltage selector switch 230V-400V must be sealed with lacquer
 DE TSB-PPW-2016-007 Drehknopf des Spannungsauswahlschalters 230V-400V muss mit Lack versiegelt werden



Pos.	Artikel-Nr.	Menge	Variante	Notes
1	1814730	2	Schraube 3,5x10	
2	301001000	1	Ventil	
3	301001133	8	Schlauchklemme 10/7	
4	106408243	1	HOSE 1/4INCH TRANSPARENT - 5 METERS	
5	107141664	2	Deckel	
6	107145440	2	Sieb Ventil Komplettsset	
7	80518	1	Behälter	



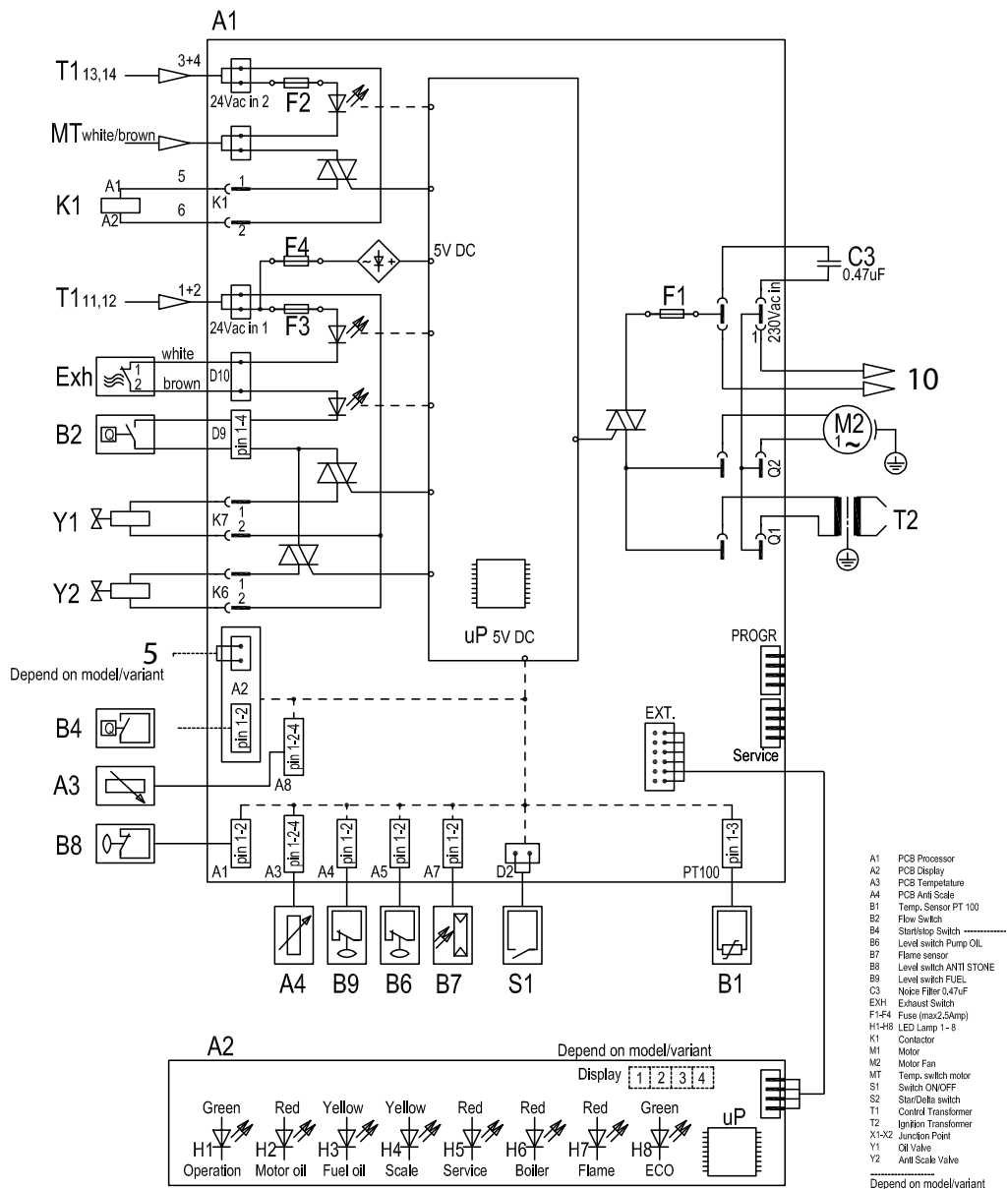
Pos.	Artikel-Nr.	Menge	Variante	Notes
1	107143046	1	TOOL BOX LID	
2	107143045	1	E-BOX TOP	
3	107143153	1	LABEL F. CONTROL PANEL FULL SPEC NILFISK	
4	107141838	2	SCHRAUBE K50X18 WN1451 SCHWARZ TORX 20	
5	107141648	1	MANOMETER 0-300 BAR	
6	909100204	2	Drehknopf 6x5 blau	
7	909100214	1	Schalter GR 1 4 Kt	
8	107143154	1	PCBA NEO UI DISPLAY CPL. MH	
9	909100046	5	Schraube 4x8	
10	9868	2	O-Ring 10x2,5	
11	18274	2	Senkschraube M4x12	
12	107141650	1	Halter	
12a	107141651	1	Scheibe DIN125-A13	
12b	31000508	1	O-RING NBR	
12c	102406647	1	Manometerrohr	
13	28877	1	Schalter	
14	101117730	1	PCB FOR POTENTIOMETER	
15	1814730	2	Schraube 3,5x10	
15a	301001000	1	Ventil	
15b	301001906	1	Verschlusskappe	
15c	106408243	1	HOSE 1/4INCH TRANSPARENT - 5 METERS	
16	107143051	1	POWER TRANSFORMER 230/400V 2X24V	
16	107143064	1	POWER TRANSFORMER 220-240V/440-460V	
16	107143068	1	POWER TRANSFORMER 115 / 200V	
17	103822306	1	Schütz CJX2-D18-B7 24V	[1]
17	103822313	1	Schütz 100-C23KJ10	[2]
17	103822317	1	Schütz CJX2-D32-B7 24V	[3]
19	107143151	1	PCBA MH	[4]
19A	101221031	1	Jumper f. Servicerückstellung	
19B	31001190	1	FUSE 6.3A 5X20 MM 250V	
19C	15846	3	Sicherung 5x20 2,5A T	
20	107307326	1	ERDUNGSANSCHLUSS 6 PIN	
21	107142761	1	START RELAY RVA4G0C	
22	107141730	1	DISCHARGE RESISTOR 15KOHM/7W	[5]
23	107143134	1	BRACKET FOR CAPACITOR	[5]
24	107143182	1	CAPACITOR 70UF 450/500V RP-3	[6]
25	107141619	1	CAPACITOR 170MF	[5]
26	107143062	1	E-BOX BOTTOM	
27	106268028	1	Abgas Sicherheits Thermostat Kit	
28	909100149	2	Ejotschraube K50x50 WN 14	
29	107143098	1	PRIMARY CABLE FOR IGNITION COIL	
30	101117759	1	Zündtransformator 220-240	[7]
31	101118220	1	2 X IGNITION CORDS KIT	
32	107143056	1	CABLE FOR POWER TRAF0 PRIM 230V	
32	107143063	1	CABLE FOR POWER TRANSFORMER PRIM 400V	
32	107143072	1	CABLE F. POWER TRANSFORMER PRIM 230/400	
34B	101117812	1	Netzkabel H07RN BS13	[8]
34C	101118182	1	POWER CORD H07RN 4G2.5X6M GND 6.3X0.8 NO	[9]
34D	107143126	1	POWER CORD 4X5.5MM2 X9M	[10]
34E	101118222	1	POWER CORD H07RN 4G1,5 CEE5	[11]
35	909100198	1	Schnur Befestigung	
36	909100020	1	Sechskantmutter M25x1,5 EN 50262 PA	
37	909100019	1	Sechskantmutter M20x1,5 EN 50262 PA	
38	909100043	1	Kabelverschraubung	

Part Notes:

- [1] - MH5M-100/760 UK, MH5M-200/960 EU, MH5M-210/1100 EU,
MH6P-175/1250 EU, MH6M-200/1300 EU, MH7P-180/1260 EU
- [2] - MH5M-210/1100 NO, MH7P-180/1260 NO, MH8P-180/2000 EU

- [3] - MH5M-210/1100 EXP, MH6P-200/1300 NO, MH6P-210/1100 JP, MH6P-210/1300 EXP, MH7P-180/1260 JP
- [4] - TSB-PPW-2018-014 MH models Software update
DE TSB-PPW-2018-014 MH-Modele Software Update
- [5] - 1ph
- [6] - 1ph

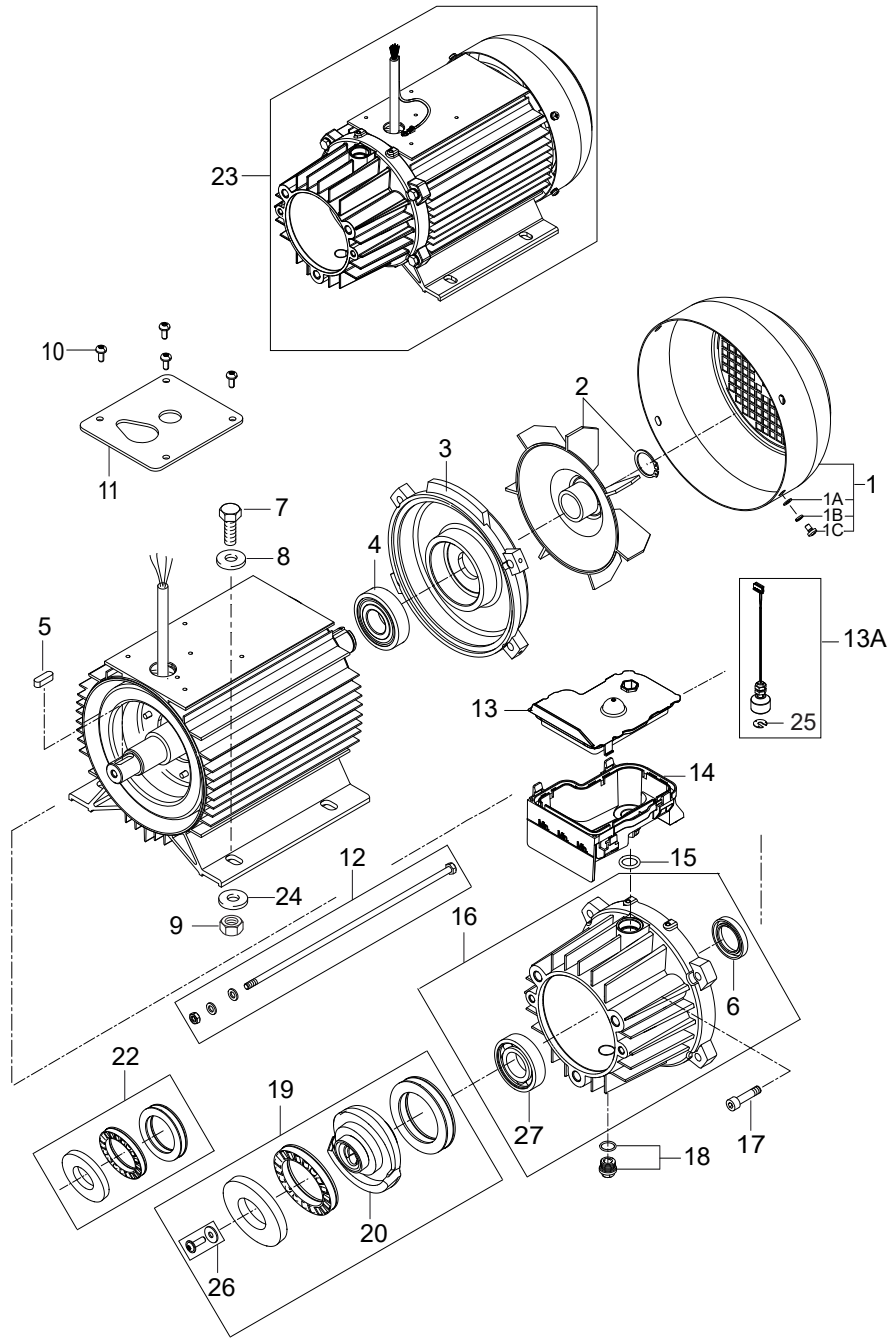
TSB-PPW-2018-003 MH_MC change of start relay and run capacitor
TSB-PPW-2018-003 MH_MC Changement du relais de démarrage et du condensateur de fonctionnement
- [7] - TSB-PPW-2018-004 Boiler cannot start - no ignition
FR TSB-PPW-2018-004 Le bruleur ne démarre plus
DE TSB-PPW-2018-004 Brenner startet nicht - keine Zündung
- [8] - MH5M-100/760 UK
- [9] - MH 5M-210/1100 EXP+NO, MH6P-200/1300 EXP+NO, MH7P-180/1260 NO
- [10] - MH6P-210/1100 JP, MH7P-180-1260 JP
- [11] - MH5M-200/960 EU, MH5M-210/1100 EU, MH6P-175/1250 EU, MH6P-200/1300 EU, MH7P-180/1260 EU



Pos.	Artikel-Nr.	Menge	Variante	Notes
T1	107143052	2	CABLE FOR POWER TRANSFORMER SEC 6X0.75	
MT	107143070	1	CABLE FOR MT	
K1	107143052	1	CABLE FOR POWER TRANSFORMER SEC 6X0.75	
Exh	107143055	1	CABLE FOR HOT WATER MODE AND EXH. SWITCH	
B2	107143121	1	REED SWITCH NO W/CABLE	
Y1	107143095	1	CABLE FOR SOLENOID VALVE 2X0.5	
Y2	107143037	1	DOSING VALVE RPE 24VAC	
5	101118188	1	MICRO-SWITCH KIT	[1]
B4	107143121	1	REED SWITCH NO W/CABLE	[2]
A3	107143043	1	CABLE FOR TEMPERATURE ADJUSTMENT	
B8	101118214	1	FLOAT SWITCH KIT	
A4	107143038	1	CABLE FOR ADJUSTMENT ANTI SCALE	
B9	107143033	1	LEVEL SENSOR FUEL TANK	
B6	101118173	1	OIL SENSOR W/PLUG KIT	[3]
B7	107143100	1	FLAME SENSOR WITH CABLE	
S1	107143055	1	CABLE FOR HOT WATER MODE AND EXH. SWITCH	
B1	107143083	1	TEMPERATUR SENSOR PT100 W/CABLE	
A2	107143053	1	CABLE FOR UI	
T2	107143098	1	PRIMARY CABLE FOR IGNITION COIL	
M2	107143096	1	MOTOR BURNER - 0.23KW/230V/50HZ/1PH	[4]
M2	107143097	1	MOTOR BURNER 390W/200-240V/50/60HZ	[5]
10	107143054	1	WIRE BLACK L=400	
C3	101117867	1	Entstörglied	

Part Notes:

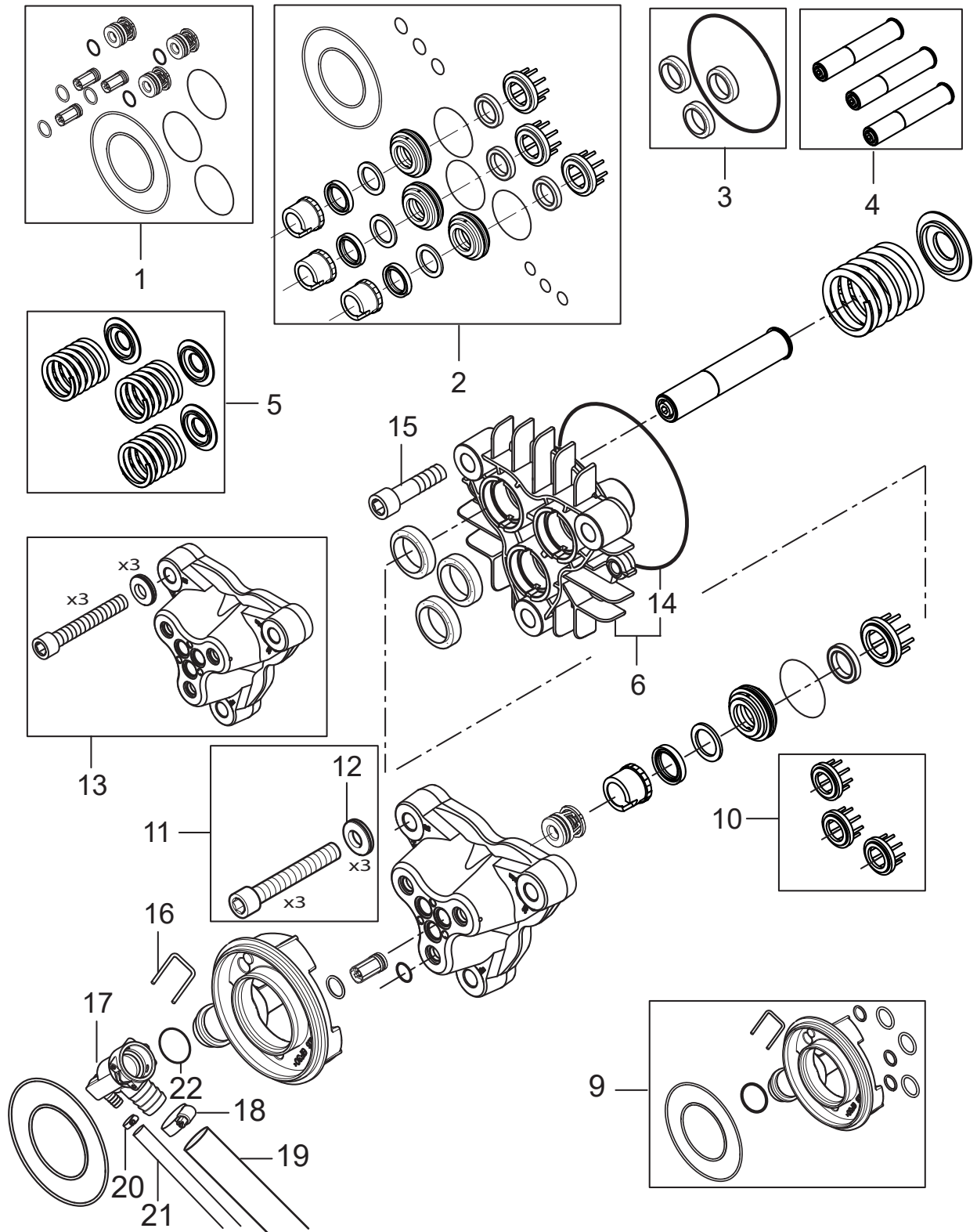
- [1] - NA5 PA
 [2] - FA
 [3] - MI 107309166 JST Connector
 [4] - MH 5M-210/1100 FA 400/3/50 Gerni, MH 5M-210/1100 FAX 400-230/3/50 NO, MH 6P-175/1250 FAX 400/3/50 EUMH 6P-200/1300 FAX 400/3/50 EU, MH 7P-180/1260 FA 400/3/50 EU
 [5] - MH 5M-210/1100 FA 440-220/3/60 EXPT, MH 6P-210/1100 FA 200/3/50-60 JP, MH 6P-195/1350 FA 440-220/3/60 EXPT, MH 7P-180/1260 FA 200/3/50-60 JP



Pos.	Artikel-Nr.	Menge	Variante	Notes
	31001229	1	OIL ISO 150 ALPHASYN-T 20L	
0	5218433	1	Pumpenöl 150 1x1l	[1]
1	107144126	1	Lüfterhaube	
1A	2763	4	Scheibe 5,3x1,0 ISO 7089 zn	
1B		4	Spring washer Ø5	
1C	1813781	4	Schraube M5x8 7985 St-zn	
2	107144125	1	Lüfterrad	
3	31000148	1	Lagerdeckel	
4	31000149	1	Lager RF	
5	19639	1	Passfeder A 8x7x25	
6	G120414	1	Dichtring Ø30XØ47X7	
7	1801133	4	Schraube M10X25	
8	2767	4	Scheibe 10,5x2,0 ISO 7090 zn	
9	8952	4	Sechskantmutter M10 ISO 7042 zn	
10	107140881	4	SCREW M5X12 DIN 7985 TORX	
11	107140875	1	Dichtung	[2]
12	31000505	1	Schraube M8x290	
12	31000504	1	Schraube M8x265	
13	107140877	1	Deckel	
13A	101118173	1	OIL SENSOR W/PLUG KIT	
14	107143094	1	OIL CONTAINER BOTTOM	
15	107140882	1	O-Ring 15,0 x 3,0	
16	107141967	1	D-BEARING COVER COMPLETE NA5.2	
17	107144142	4	Schraube für Pumpengehäus	
18	107141982	1	OIL PLUG W/O-RING AND MAGNET NA5.2	
19	101118248	1	WOBBLE DISC 7.74 DEG. BEARING KIT NA5.2	[3]
19	101118243	1	WOBBLE DISC 10.2 DEG. BEARING KIT NA5.2	[4]
19	101118241	1	WOBBLE DISC 12 DEG. BEARING KIT NA5.2	[5]
20	107141990	1	WOBBLE DISC 7.74 DEG. NA5.2	[3]
20	107141964	1	WOBBLE DISC 10.2 DEG. NA5.2	[4]
20	107141966	1	WOBBLE DISC 12 DEG. NA5.2	[5]
22	101118240	1	BEARING KIT FA PA - NA5.2	
23	107141956	1	MOTOR 2.2 KW/230/1 50HZ	[6]
23	107141954	1	MOTOR 5.5 KW 220/230-400/440/3/50/60 EU	[7]
23	107141953	1	MOTOR 6.7KW 220-440/230-400/3 50/60HZ-EU	[8]
24	4827	4	Scheibe 10,5x2,5 A ISO 7093-1 zn	
25	107142593	1	HOLDING WASHER PE	
26	107142658	1	NA5.2 WD SCREW AND WASHER	
27	107144817	1	BEARING KBC 6206 GB/T818	
	101118265	1	MPU NA5.2 PA 6.7KW/400V/50HZ/3PH/12DEG	[9]

Part Notes:

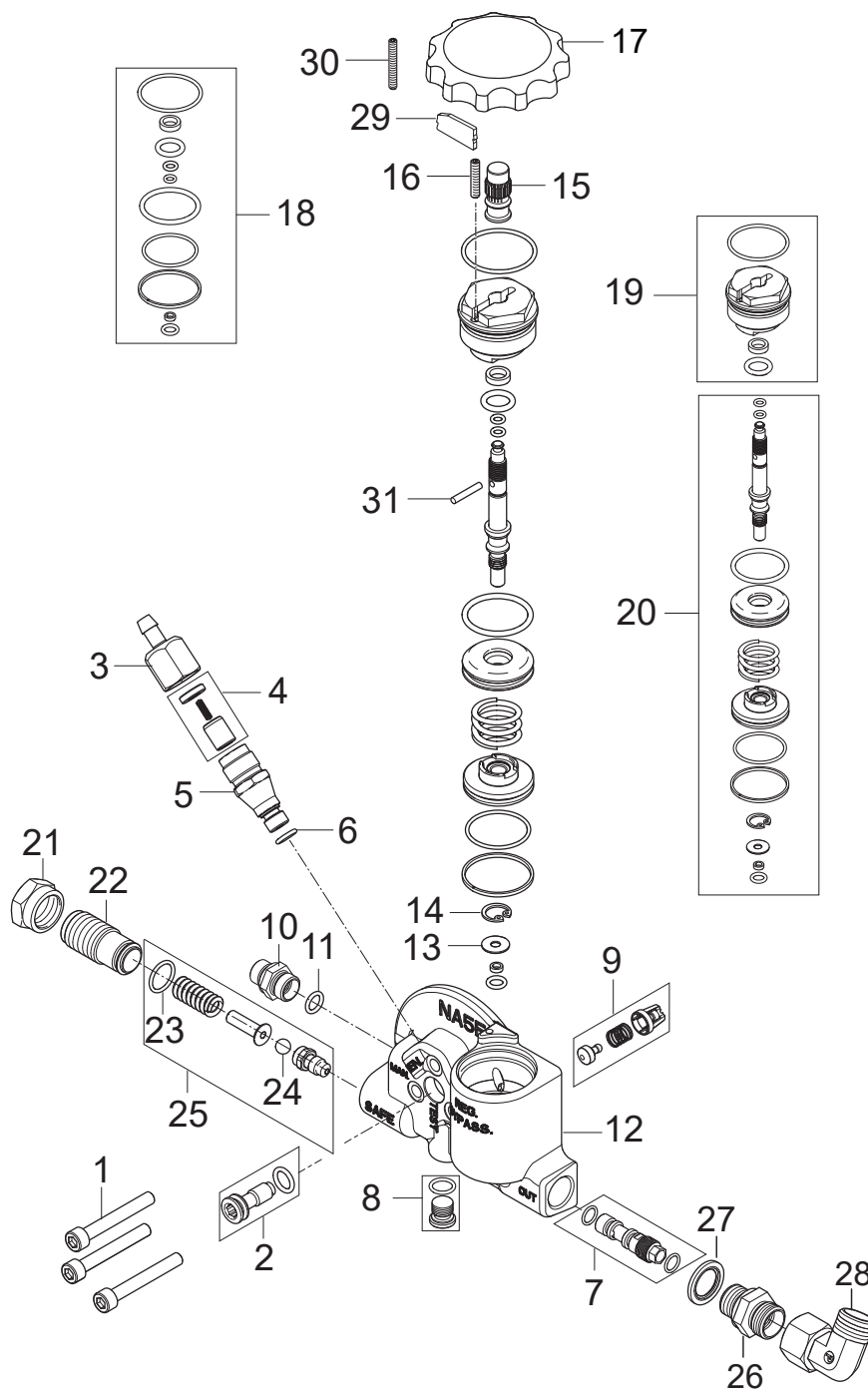
- [1] - 0,71L - OIL TYPES_QUANTITY for HPW_APRIL 2017
- [2] - TSB-PPW-2018-012 NA5_NA6 mpu. Water enters into the stator.
- [3] - Machine no. 107146941 MH 5M-100/760, 107146942 MH 5M-100/760
- [4] - Machine no. 107146947 MH 5M-200/960, 107146948 MH 5M-200/960, 107146956 MH 5M-210/1100 EXP, 107146944 MH 5M-3000/4,8
- [5] - Machine no. 107146950 MH 5M-210/1100, 107146953 MH 5M-210/1100, 107146959 MH 5M-210/1100, 107146949 MH 5M-210/1100, 107146954 MH 5M-210/1100
- [6] - MH5M-100/760 UK
Also order Gasket for motor, 107140875
- [7] - MH5M-200/960 EU
Also order Gasket for motor, 107140875
- [8] - MH5M-210/1100 EU+NO+Gerni+EXP
Also order Gasket for motor, 107140875
- [9] - MH 5M-210/1100 PAX 400/3/50 EU



Pos.	Artikel-Nr.	Menge	Variante	Notes
1	101118121	1	Satz Ventile	
2	101118323	1	Wasserdichtungssatz	[1]
3	107144102	1	Dichtungssatz Kolben	
4	101118239	1	PISTON KIT - NA5.2	
5	107144104	1	Satz Feder	
6	107141983	1	CYLINDER BLOCK W/ O-RING NA5.2	
9	101118147	1	Einlass Kit NA5	
10	107140919	1	SUPPORT RING NA5 SPARE VPE 3	
11	107141968	1	CYL.SCREW M12X80 WITH NORDLOCK WASHER	
12	107141969	3	WASHER NLX12SP D12.5XD25.4X4.2MM	
13	107141985	1	CYLINDER HEAD NA5.2 W. SCREWS WASHERS	
14	107141512	1	O-Ring D114 x D1.78	
15	4042	2	Schraube M8 X 40 8.8	
16	107143085	1	LOCK PIN	
17	107143092	1	WATER LIMITER (SMALL)	[2]
17	107143000	1	WATER LIMITER (MEDIUM)	[3]
17	107143142	1	WATER LIMITER L	[4]
18	8298	2	Schlauchschelle SGL 16-27	
19	107143031	1	FUELFLEX HOSE D28/D20 10BAR/20°	
20	11654	1	Schlauchklemme 11,5	
21	106408243	1	HOSE 1/4INCH TRANSPARENT - 5 METERS	
22	107143088	1	O-RING 18.72X2.62	

Part Notes:

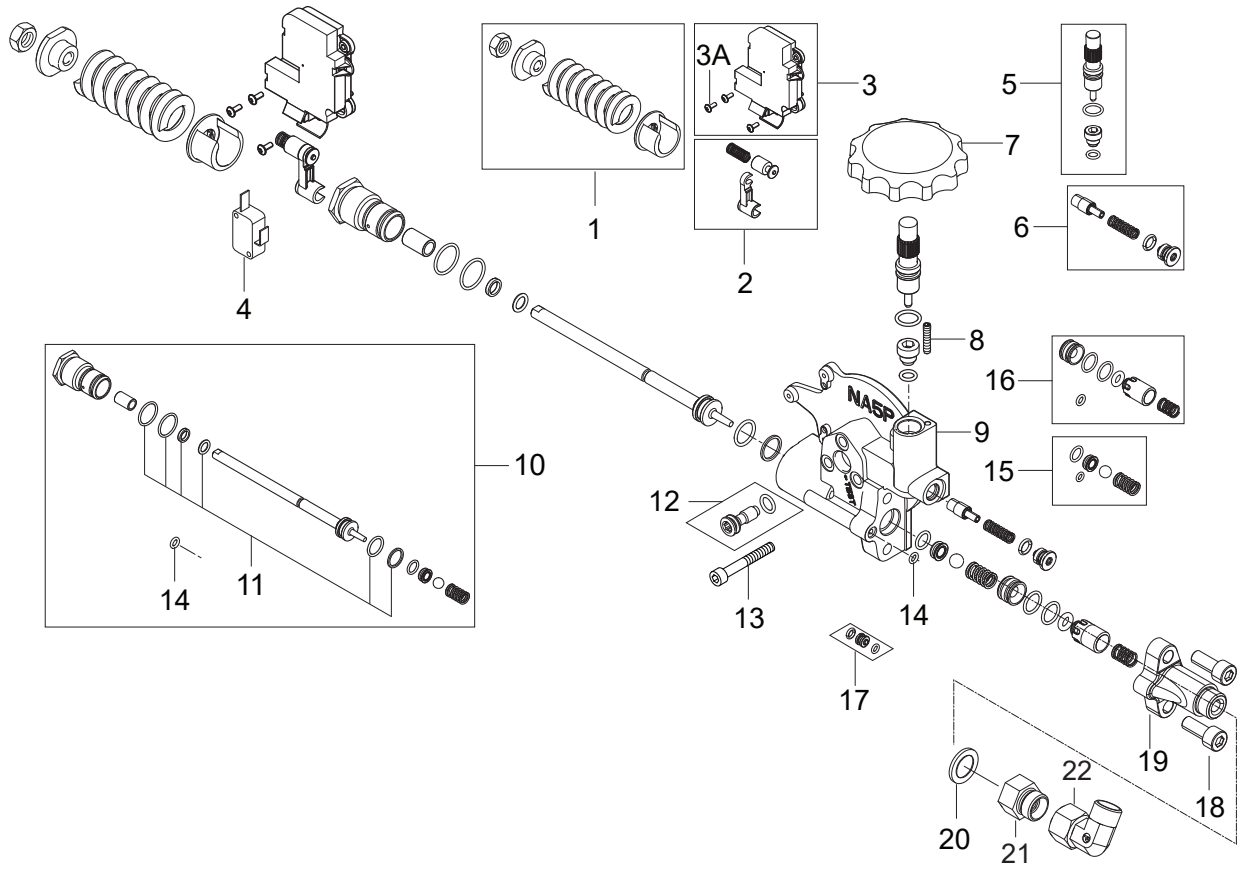
- [1] - TSB-PPW-2020-003 NA5 pump THRUST COLLAR changed
DE TSB-PPW-2020-003 NA5 Pumpe - Änderung der Druckringe
TSB-PPW-2020-003 Nouvelles bagues laiton pour pompe NA5
- [2] - MH5M-100/760 UK
- [3] - MH5M-200/960 EU
- [4] - MH 5M-210/1100



Pos.	Artikel-Nr.	Menge	Variante	Notes
1	5100	3	Zylinderschraube M6x45	
	107144142	1	Schraube für Pumpengehäus	[1]
2	107144137	1	Stopfen	
3	6221529	1	Deckel f. Ventilgehäuse	
4	101118183	1	PISTON KIT FOR VENTING VALVE	
5	101117890	1	Gehäuse Lufteinlassventil	
6	3001740	1	O-RING 7.66X1.78 NITRIL 70SH	
7	107144112	1	Injektor	
8	101117924	1	Stopfen für MPU 1/8	
9	101118184	1	RETURN VALVE BY-PASS - KIT MH	[2]
10	1821	1	Verbindungsstück	
11	3001740	1	O-RING 7.66X1.78 NITRIL 70SH	
12	107143111	1	NA5 FA BYPASS VALVE MACHINED	
13	106408196	1	WASHER D12.95 X D4.6 X 0.9 BRASS	
14	106408195	1	Sicherungsring Gr. 13 DIN472	
15	106408189	1	NUT M8 X 1 FOR UNLOADER VALVE FA	
16	107146563	1	SCREW POINTED DIN 913 M4X16 FZG	
17	107143003	1	Einstellknopf NA5/NA6	
18	101118050	1	SEALING KIT FOR NA6	
19	101118051	1	PLUG FOR UNLOADER VALVE FA - KIT NA6	
20	101118117	1	Steuereinheit - Kit NA5	
21	6100928	1	Mutter	
22	6100940	1	Einstellschraube	
23	3001070	1	O-Ring 13,1 x 1,6 SMS	
24	1802644	1	Kugel 7mm.	
25	101118118	1	OPENING VALVE REP. KIT	
26	1601079	1	Verbindungsstück	
27	1801075	1	Dichtring	
28	101118094	1	Kupplungssatz 90D ISO	
29	107143005	1	PLATE FOR REG. KNOB	
30	107146562	1	SCREW M4X30 POINTED DIN 413	
31	107146561	1	PIN DIA 3 X 18MM STAINLESS STEEL	

Part Notes:

- [1] - 3x Screw HX M6 x 45 ISO 4762
 2x CYLINDRICAL SCREW M6 X 18
 2x Screw M8x 40 ISO4762 8.8 zn
 4x SCREW M8X35 ISO 4017
- [2] - Spring included: OD8,45 x L16,5 x d0,7



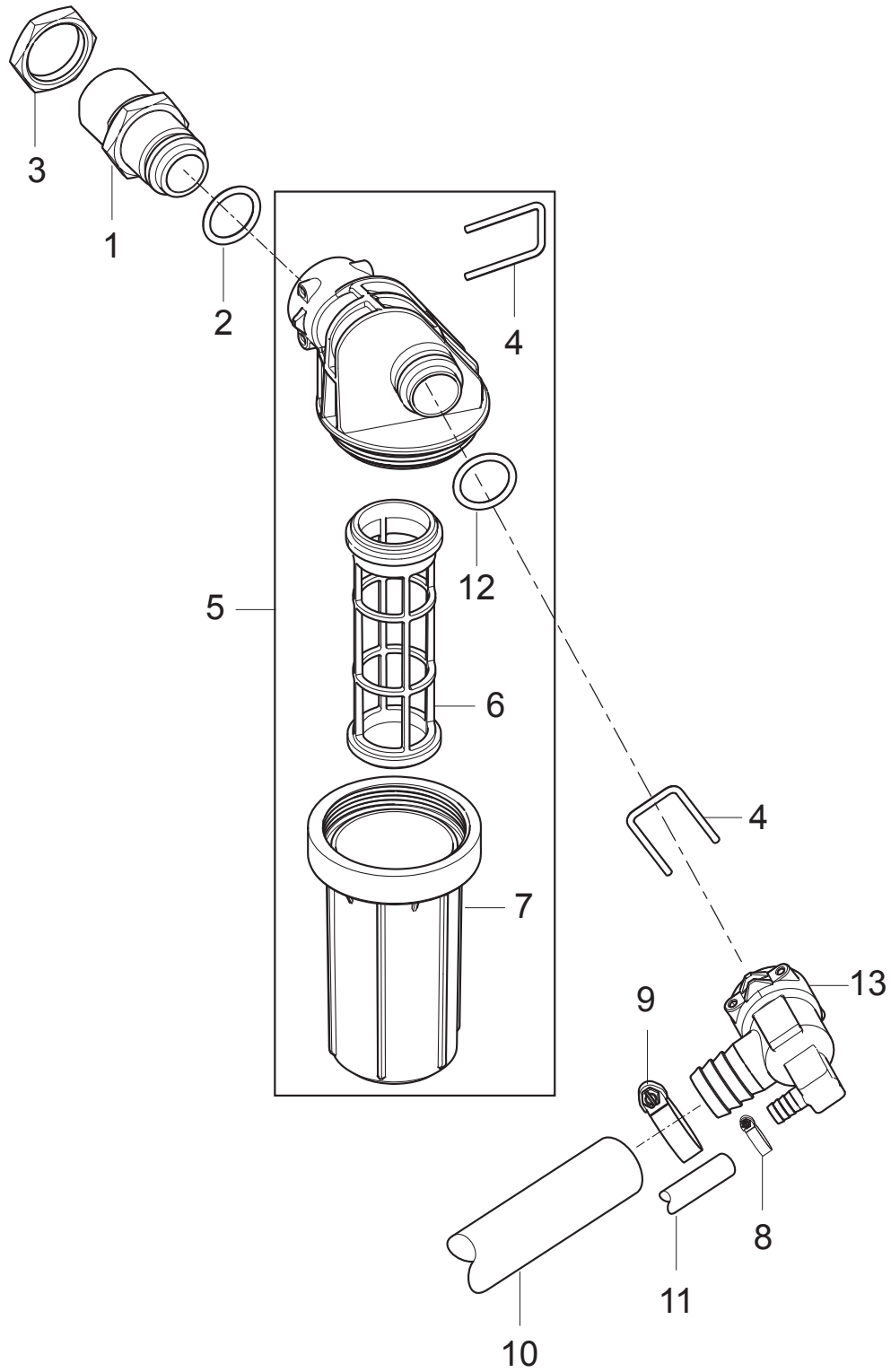
Pos.	Artikel-Nr.	Menge	Variante	Notes
1	101118091	1	Feder	
2	101118090	1	MICROSW. ACTIVATION REP. KIT NA5 PA	
3	101118084	1	Schaltergehäuse	
3A	107141515	3	SCREW M3X8 ISO7380 FZG TORX 10	
4	101118188	1	MICRO-SWITCH KIT	
5	101118313	1	FLOW REGULATION VALVE KIT	[1]
6	101118315	1	PRESSURE BUILD UP VALVE LOW FLOW KIT	[2]
6	101118314	1	PRESSURE BUILD UP VALVE HIGH FLOW KIT	[3]
7	107143003	1	Einstellknopf NA5/NA6	
8	106408188	1	DIN 913 M4X20 POINTED SCREW	
9	107140884	1	UNLOADER PA NA5	[1]
10	101118294	1	STEM + SEALING REP. KIT NA5/5.2/6/6+ PA	[4]
11	101118083	1	Reparatursatz Steuerkolben	
12	107144137	1	Stopfen	
13	5100	3	Zylinderschraube M6x45	
13	107144142	1	Schraube für Pumpengehäus	[5]
14	107141514	1	O-RING D4 X D1.5 NBR 90	
15	101118295	1	BYPASS VALVE REP. KIT NA5.2 PA	[4]
16	101118254	1	HOLDING PRESS.V.REP. KIT NA5.2PA - UK AU	[4]
17	101118316	1	DAMPER SEAT WITH O-RING KIT	[1]
18	8894	2	Schraube M8 x 20 8.8	
19	107143110	1	NA5 PA OUTLET MACHINED	
20	107143107	1	PACKING RING D23.8XD17.28X2	
21	107143090	1	ADAPTOR IN 3/8 OUT M18X1.5	
22	101118094	1	Kupplungssatz 90D ISO	

Part Notes:

- [1] - TSB-PPW-2020-001 MH 4_MH 5M Damper Valve removed
DE TSB-PPW-2020-001 MH 4 MH 5M Dämpferkolben entfernt
TSB-PPW-2020-001 MH 4M5M_MC 5M machine en version PA. Supression de l'anti bélier
- [2] - MH 5M-100/760

TSB-PPW-2020-001 MH 4_MH 5M Damper Valve removed
DE TSB-PPW-2020-001 MH 4 MH 5M Dämpferkolben entfernt
TSB-PPW-2020-001 MH 4M5M_MC 5M machine en version PA. Supression de l'anti bélier
- [3] - MH 5M-210/1100

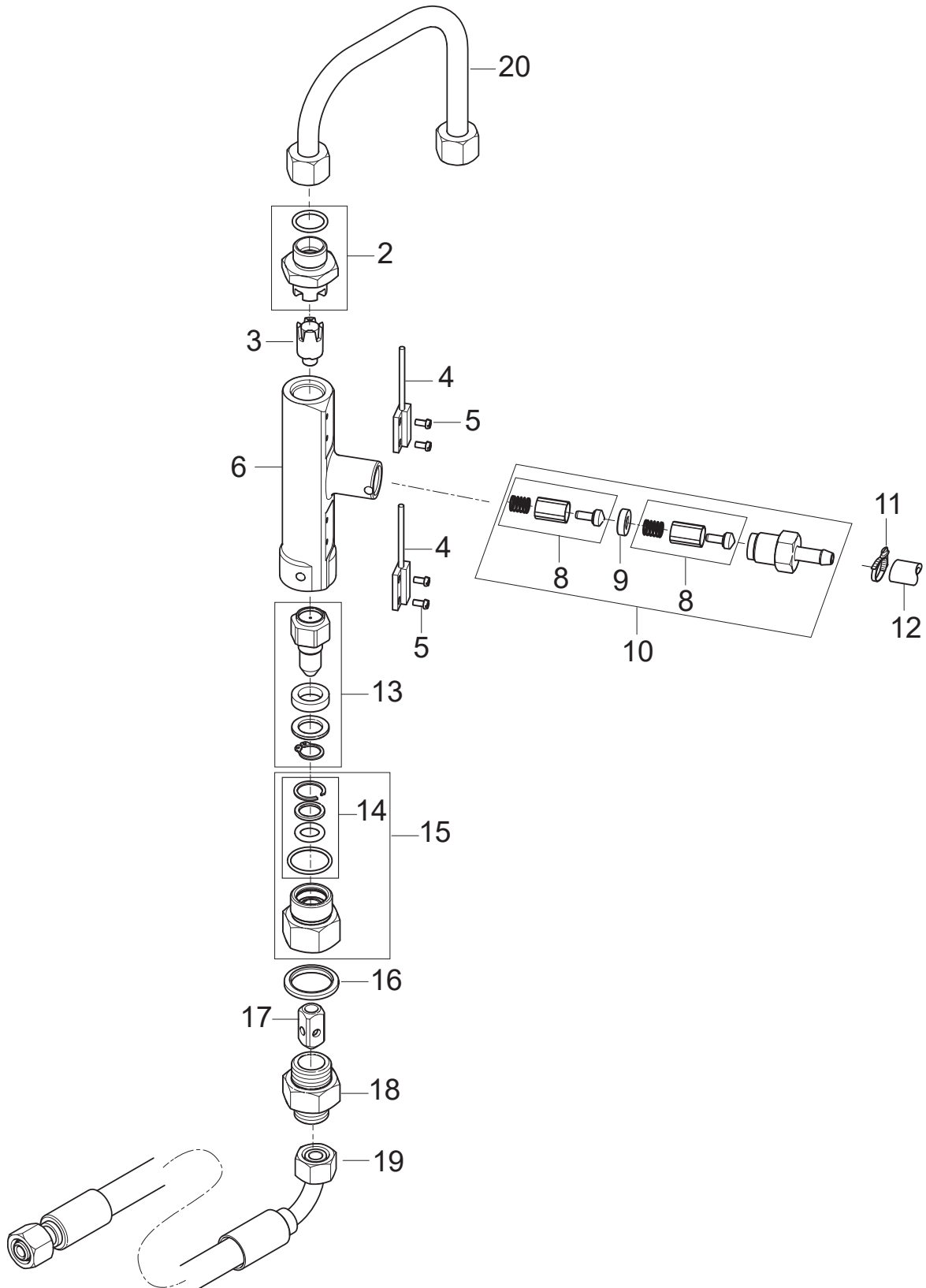
TSB-PPW-2020-001 MH 4_MH 5M Damper Valve removed
DE TSB-PPW-2020-001 MH 4 MH 5M Dämpferkolben entfernt
TSB-PPW-2020-001 MH 4M5M_MC 5M machine en version PA. Supression de l'anti bélier
- [4] - TSB-PPW-2017-005 Low pressure—Unloader valve for NA5.2 pump can leak internally
- [5] - 3x Screw HX M6 x 45 ISO 4762
2x CYLINDRICAL SCREW M6 X 18
2x Screw M8x 40 ISO4762 8.8 zn
4x SCREW M8X35 ISO 4017



Pos.	Artikel-Nr.	Menge	Variante	Notes
1	107143086	1	FITTING FOR WATER INLET	
2	107143088	2	O-RING 18.72X2.62	
3	1800341	1	Gegenmutter 3/4	
4	107143085	2	LOCK PIN	
5	107144272	1	FILTER CPL. MH 5000MM2 50µ ACCESSORY	
6	31001100	1	FILTER CARTRIDGE WITHOUT FLANGE	[1]
7	31001011	1	Glas für Wasserfilter	[1]
8	11654	1	Schlauchklemme 11,5	
9	8298	1	Schlauchschele SGL 16-27	
10	107143031	1	FUELFLEX HOSE D28/D20 10BAR/20°	
11	101406100	1	Schlauch 6x3 mm x 5 m	
12	107143088	1	O-RING 18.72X2.62	
13	107143087	1	WATER INLET FITTING FOR FA	

Part Notes:

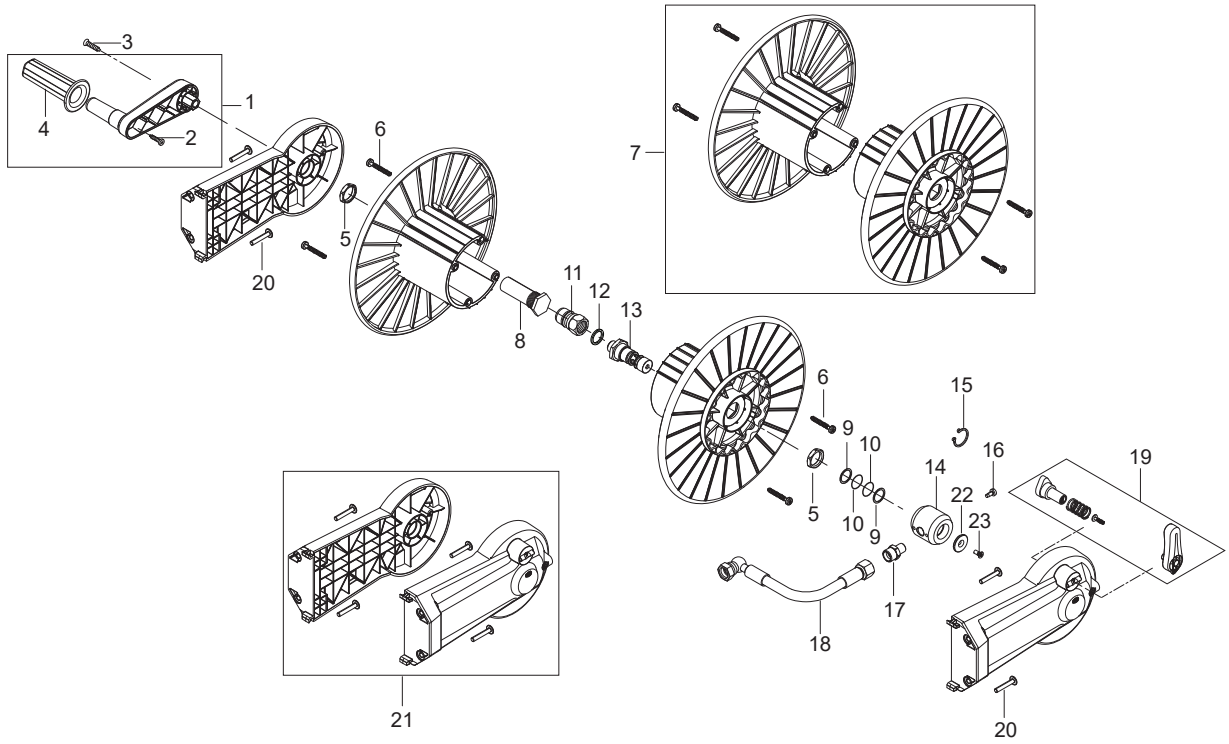
- [1] - TSB-PPW-2020-006 Water inlet filter cartridge and filter glass improved
 DE TSB-PPW-2020-006 Wasserzulauffilter Glas und Filtereinsatz verbessert
 TSB-PPW-2020-06 Cartouche de filtre d'entrée d'eau et bocal de filtre amélioré



Pos.	Artikel-Nr.	Menge	Variante	Notes
2	101118190	1	MALE STUD M18X1.5 KIT	
3	101118055	1	MAGNET AND HOUSE FOR FLOW SWITCH-KIT NA6	
4	107143121	2	REED SWITCH NO W/CABLE	
5	101118033	4	SCREW M3X6 BRASS	
6	101118308	1	Durchflussregelung	
8	1119566	2	Reparatursatz fuer Ruecks	
9	6201535	1	Sitz	
10	1119318	1	Rep.satz Rueckschlagventi	
11	11654	2	Schlauchklemme 11,5	
12	101406100	0.92	Schlauch 6x3 mm x 5 m	
13	101117896	1	Rueckschlagventil mit	[1]
14	101118191	1	SEALING KIT FOR MALE STUD	
15	101118230	1	Dichtsatz zu Rueckschlagventil 1/2"-M22X	
16	1807932	1	Dichtring	
17	6101038	1	Kolben	
18	107143155	1	Nippel 1/2" AG - M18X1.5	
19	107143171	1	HP HOSE DN10 505 DKL-DKL 90D	[2]
20	107143188	1	PIPE FLOW CONTROL NA6/B5	[3]
19+20	101118322	1	HP HOSE AND CONNECTION PIPE NA6/B5 KIT	

Part Notes:

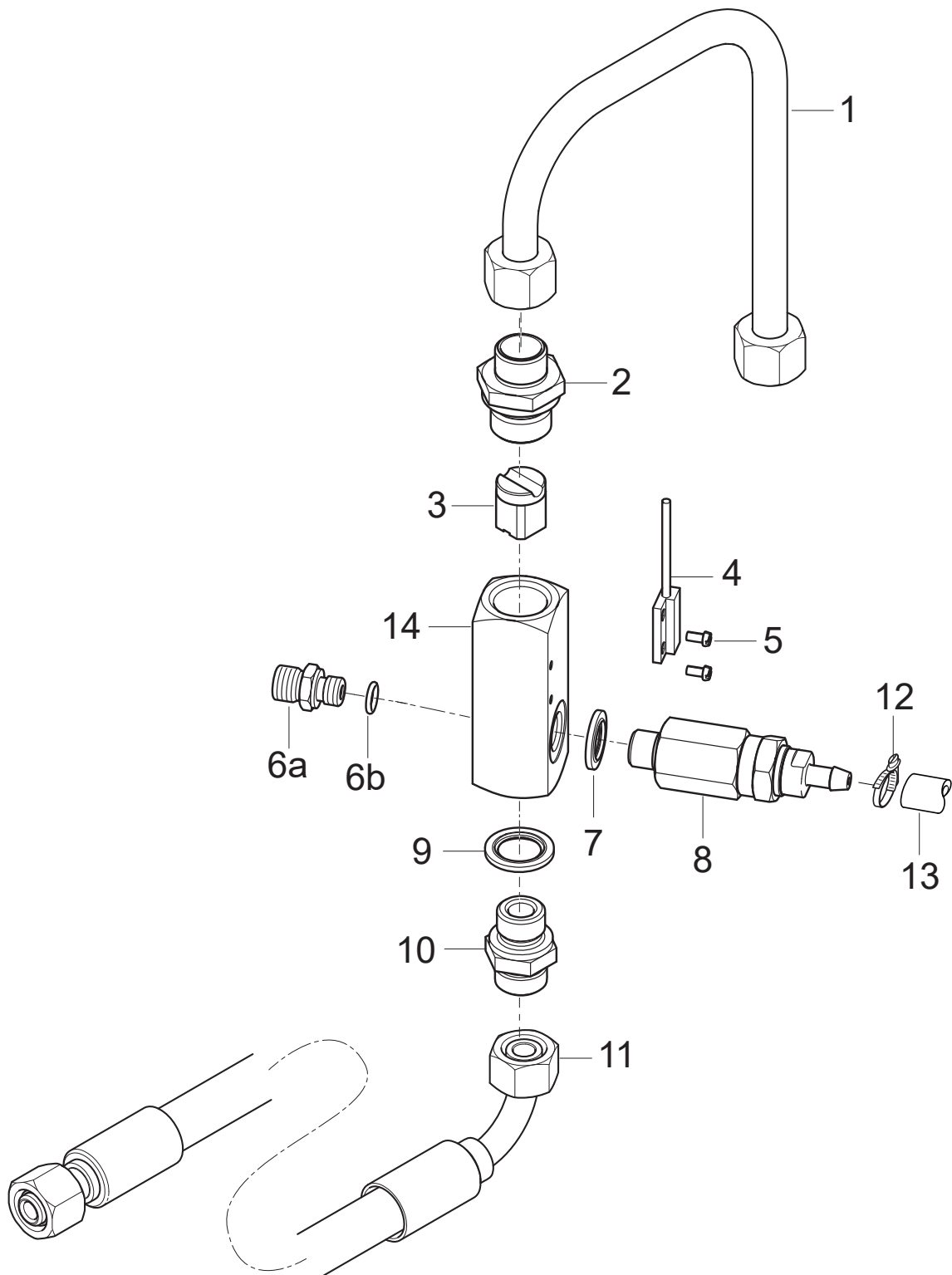
- [1] - TSB-PPW-2016-012 MH 4M FA None return valve 101117896 get stocked
DE TSB-PPW-2016-012 MH 4M FA Strömungskolben 101117896 blockiert
- [2] - MH5, MH 6P-175/1250, MH 6P-210/1100
- [3] - MH5, MH 6P



Pos.	Artikel-Nr.	Menge	Variante	Notes
0	106403184	1	Schlauchtrommel CAP 20M DN8	
1	101118215	1	HANDLE FOR HOSE REEL NILFISK	
2	107141838	2	SCHRAUBE K50X18 WN1451 SCHWARZ TORX 20	
3	107141673	1	Schraube M6x45	
4	107143007	1	ROTATING HANDLE FOR HOSE REEL NILFISK	
5	62696	2	Sechskantmutter M24x1,5x	
6	909100153	4	Schraube 6x40	
7	101118209	1	HOSE REEL SIDE KIT	
8	107141675	1	Achse	
9	107143017	2	BACK-UP RING	
10	19620	2	O-Ring 15,54x2,62	
11	1600493	1	Anschlussstück	
12	1801075	1	Dichtring	
13	107143123	1	SWIVEL FOR HOSE REEL	
14	101118317	1	BEARING BUSH KIT	[1]
15	1802057	1	Seegerring U 20 x1,2	[2]
16	107141690	1	Linsenschraube DIN7985-M5x12-8.8	
17	54590	2	Anschlussstück	
18	107143114	1	CONNECTION HOSE DN8 FOR HOSE REEL	
19	101118212	1	020KE HANDLE FOR HOSE REEL NILFISK KIT	
20	107143010	4	SCREW M6X35	
21	101118208	1	HOSE REEL ADAPTOR KIT	
22	107143125	1	WASHER 25 FOR COUNTERSUNK M5	[3]
23	107143124	1	COUNTERSUNK M5X12 ISO 14581	[3]
		1	Mounting instr. for Hose Reel Nilfisk	[4]

Part Notes:

- [1] - TSB-PPW-2019-005 MH Hose Reel Screw 107143124 can break
DE TSB-PPW-2019-005 MH Schlauchtrommel Schraube 107143124 kann brechen
TSB-PPW-2019-005 vis cassée à l'enrouleur des MH
- [2] - Up to 07.2016
- [3] - TSB-PPW-2016-018 MH 4M Hose Reel Circlip
- [4] - Mounting instructions MH Nilfisk hose reel

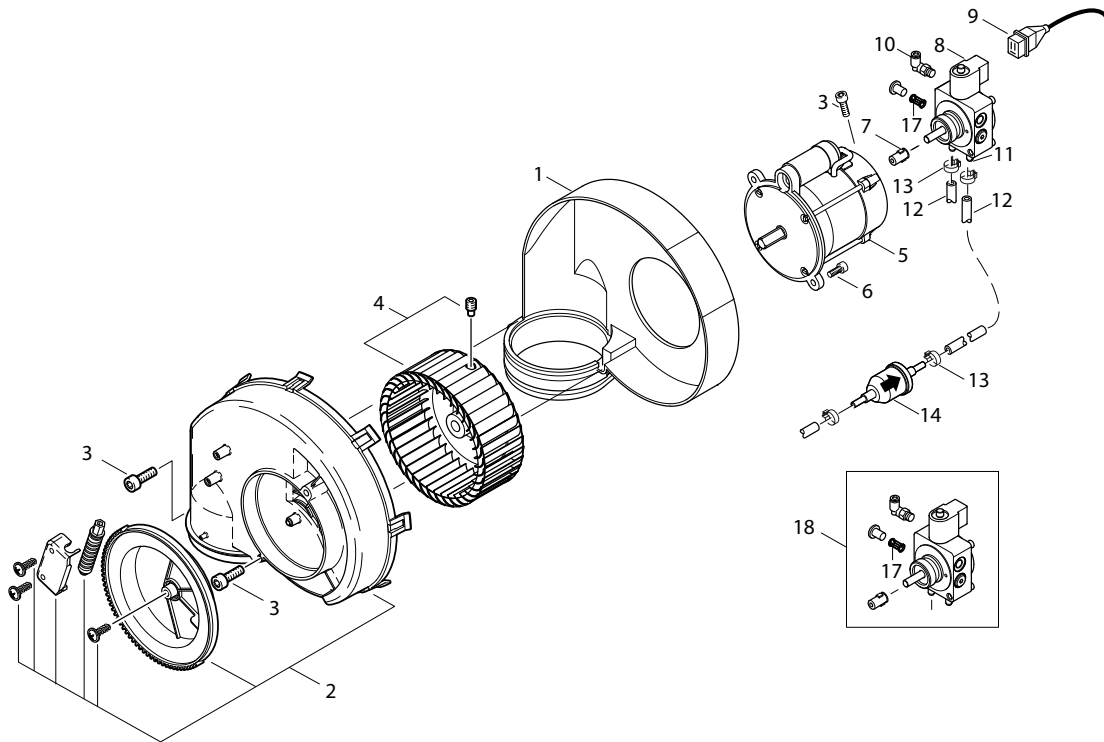


mai

Pos.	Artikel-Nr.	Menge	Variante	Notes
1	107143187	1	PIPE FLOW CONTROL NA5 PA/B5	
1+11	101118321	1	HP HOSE AND CONNECTION PIPE NA5 PA/B5	
2	107143122	1	THREADED CONNECTION D12X1/2 INCH	
3	101117798	1	Magnetgehäuse komplett	
4	107143121	1	REED SWITCH NO W/CABLE	
5	101118033	2	SCREW M3X6 BRASS	
6a	1821	1	Verbindungsstück	
6b	3001740	1	O-RING 7.66X1.78 NITRIL 70SH	
7	1803493	1	Dichtungsscheibe	
8	101118290	1	OPENING PRESSURE VALVE 146 BAR KIT	[1]
8	101118292	1	OPENING PRESSURE VALVE 250 BAR KIT	[2]
9	1801075	1	Dichtring	
10	1601079	1	Verbindungsstück	
11	107143171	1	HP HOSE DN10 505 DKL-DKL 90D	
12	11654	2	Schlauchklemme 11,5	
13	101406100	1	Schlauch 6x3 mm x 5 m	
14	101118306	1	FLOW CONTROL HOUSING PA	

Part Notes:

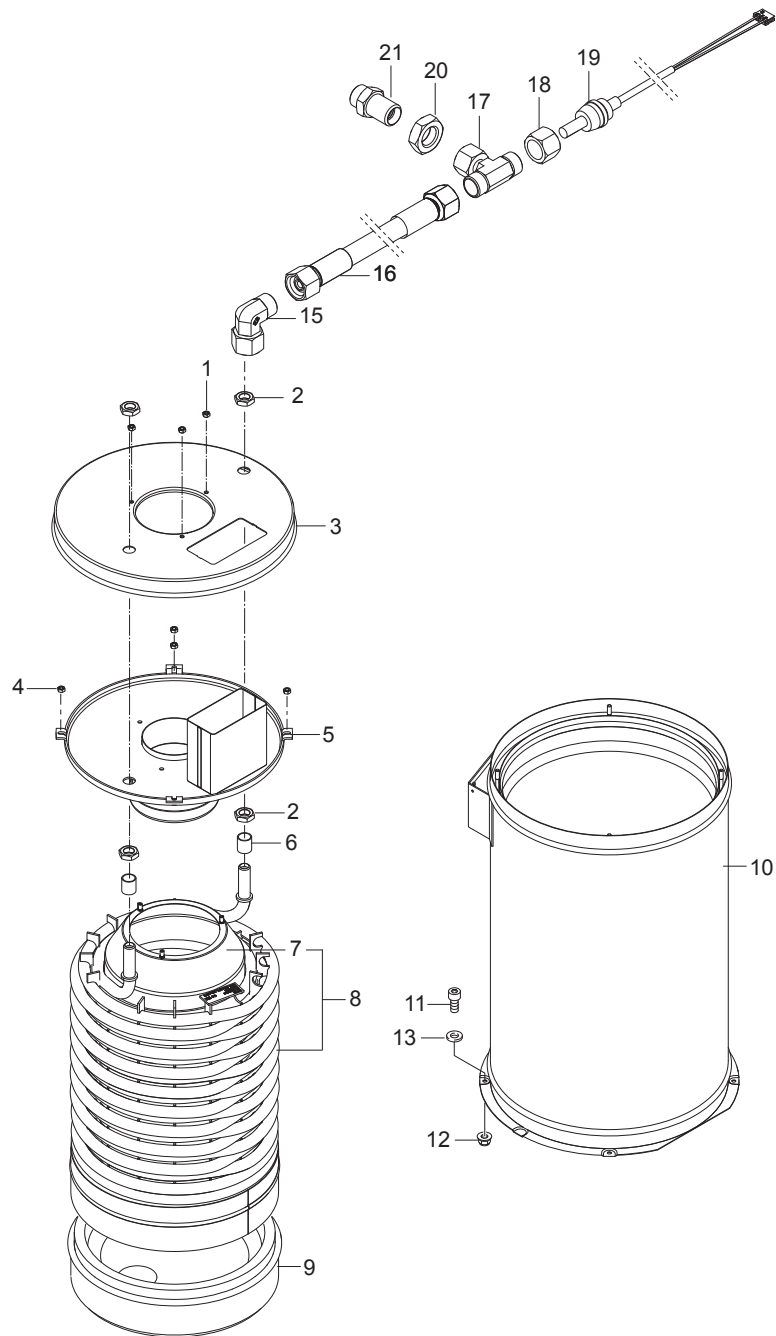
- [1] - MH 5M-100/760 PA
 [2] - MH 5M-210/1100 PA



Pos.	Artikel-Nr.	Menge	Variante	Notes
1	301000495	1	Lüftergehäuse	
2	301000852	1	Abdeckung	
3	32535	3	Zylinderschraube M5x16	
4	301000889	1	Lüfterrad	
4	301002126	1	Lüfterrad	[1]
5	107143179	1	MOTOR BURNER 350W/110-120V/50/60HZ	[2]
5	107143096	1	MOTOR BURNER - 0.23KW/230V/50HZ/1PH	
5	107143097	1	MOTOR BURNER 390W/200-240V/50/60HZ	[1]
6	4697	2	Zylinderschraube M6x16	
7	101117707	1	Verbindungskupplung	
8	3821089	1	Spule m. Mutter und Scheibe	
9	107143095	1	CABLE FOR SOLENOID VALVE 2X0.5	
10	101117706	1	Winkerverschraubung	
11	101117777	1	Schlauchverbindung zur Öl	
12	106408244	1	HOSE D6X2.5 - 5 METERS	
13	301001133	2	Schlauchklemme 10/7	
14	301002926	1	Filter 101X36.5X6 KU	
17	31001081	1	FILTER FOR OIL PUMP	
18	101117673	1	Ölpumpe komplett	

Part Notes:

- [1] - JP, EXPT
 [2] - MH 3C



Pos.	Artikel-Nr.	Menge	Variante	Notes
1	3136	3	Sechskantmutter M6 ISO 4032 zn	
2	7012	4	Mutter 6kt M18x1,5	
3	31001162	1	OUTER BOILER TOP B5 - B7	
4	12263	4	Sechskantmutter M6	
5	31001163	1	INSIDE BOILER TOP CPL B5	
6	301000582	2	Hülse	
7	301000541	1	Abgasführungshaube	
8	31001164	1	COIL WELDED B5	
8	107143301	1	HEIZSCHLANGE B5 EDELSTAHL	[1]
9	301000916	1	Isolierung	[2]
10	31001165	1	BOILER JACKET B5	
11	4697	2	Zylinderschraube M6x16	
12	11619	2	Sechskantmutter M6 ISO7042 A2K	
13	107143146	2	WASHER SERRATED M6	
15	101118094	1	Kupplungssatz 90D ISO	
16	107143147	1	HP HOSE DN10 560 DKL-DKL	
17	101118093	1	Verbindungsstück	
18	1081	1	Überwurfmutter DIN 3870-A L 12 St/zn	
19	107143083	1	TEMPERATUR SENSOR PT100 W/CABLE	
20	1803220	1	Mutter M18x1,5 I	
21	107143082	1	OUTLET FITTING	

Part Notes:

- [1] - TSB-PPW-2017-011 Stainless Steel heat exchangers new stay material and new spare part numbers
 [2] - TSB-HPW-2021-002 Chamotte stones in insulation removed

